

LED Weatherproof Exit Light STONE

Features

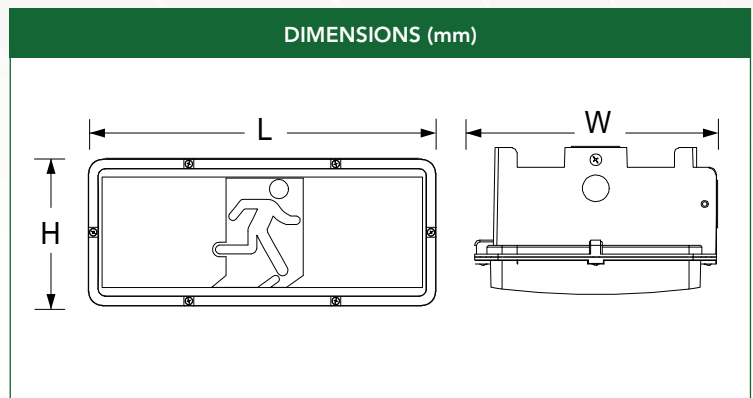
- Polycarbonate body and diffuser
- Wall mount
- Energy efficient LED, low 3W standby power consumption
- Superior light output, 24m viewing distance
- Lithium Ion battery
- 3hrs emergency battery run-time
- Manual test switch
- Large terminal block and cable entry
- Operating temp: -10°C to +40°C
- IP65 rated
- Complies with AS/NZ2293



Includes the following decals

- Standard running man
- Running man with left arrow
- Running man with right arrow

| CERTIFICATION | IP RATING | DIMMABLE |
|---------------|------------|---------------|
| | | |
| L-ION BATTERY | RECYCLABLE | BOX CTN QTY |
| | | 1 10 |



| Part No. | Voltage | Watt | PF | CCT | Ra | Lumens | Beam Angle | Lifetime hrs | Fitting Colour | Dimensions (L x W x H)mm |
|-------------|---------|------|------|-------|-----|--------|------------|--------------|----------------|--------------------------|
| TSAL8ST1711 | 240V | 3W | >0.9 | 6000K | >80 | N/A | N/A | 50,000 | N/A | 381 x 98 x 162 |