

ALCHEMY

LED Surface Mount Exit Light JUMBO







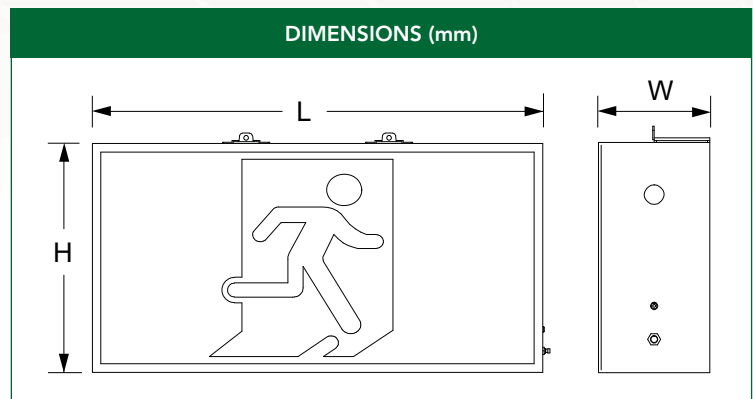
Features

- Powder coated metal body with polycarbonate body diffuser
- Wall and ceiling mount
- Energy efficient LED, low 5.3W standby power consumption
- Superior light output 40m viewing distance
- Lithium Ion battery
- 3hrs emergency battery run-time
- Manual test switch
- Large terminal block and cable entry
- Operating temp: -10°C to 40°C
- IP20 rated
- Complies with AS/NZ2293

Includes the following decals

- Running man with left arrow 2pcs
- Running man with right arrow 2pcs
- Running man face left 2pcs
- Running man face right 2pcs

CERTIFICATION	IP RATING	DIMMABLE
		
L-ION BATTERY	BOX CTN QTY	
	1 5	



Part No.	Voltage	Watt	PF	CCT	Ra	Lumens	Beam Angle	Lifetime hrs	Fitting Colour	Dimensions (L x W x H)mm
TSAL8JUM1801	240V	5.3W	>0.9	6000K	>80	N/A	N/A	50,000	N/A	630 x 100 x 320

ALCHEMY

LED Surface Mount Blade Exit Light EMERALD



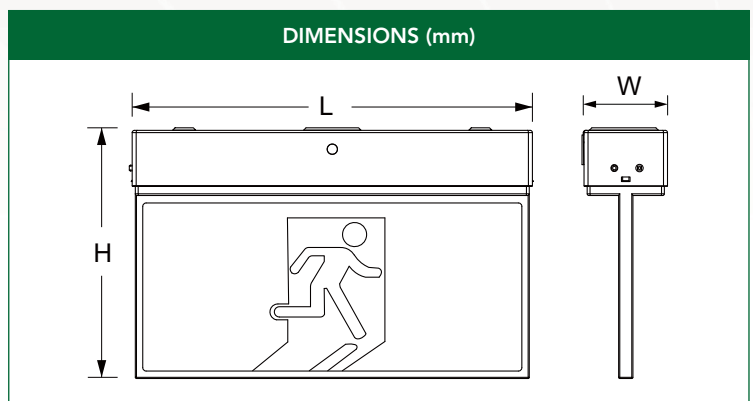
Features

- Polycarbonate body and diffuser
- Wall and ceiling mount
- Energy efficient LED, low 3w standby power consumption
- Superior light output 24m viewing distance
- Lithium Ion battery
- 3hrs emergency battery run-time
- Manual test switch
- Large terminal block and cable entry
- Operating temp: -10°C to 40°C
- IP20 rated
- Complies with AS/NZ2293

Includes the following decals

- Standard running man
- Running man with left arrow
- Running man with right arrow

CERTIFICATION	IP RATING	DIMMABLE
L-ION BATTERY	BOX CTN QTY	
	1 10	



Part No.	Voltage	Watt	PF	CCT	Ra	Lumens	Beam Angle	Lifetime hrs	Fitting Colour	Dimensions (L x W x H)mm
TSAL8EM1611	240V	3W	>0.9	6000K	>80	N/A	N/A	50,000	N/A	350 x 73 x 220