

NEW

ALCHEMY

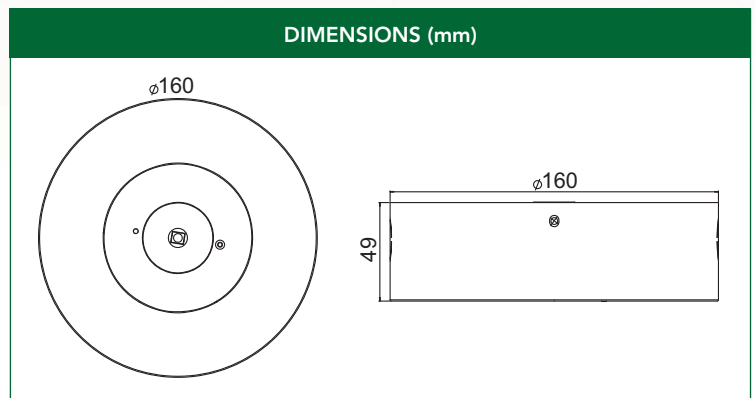
LED Recessed Emergency Downlight UFOFIRE

Features

- Energy efficient LED, low 0.5W standby power consumption
- Superior light output, D40 spacing classification to cover most applications
- Tamper resistant, no dome required
- Lithium Ion battery
- 3 hour emergency battery run time
- Self testing technology
- Operating temperature: 1°C to 40°C
- Plug & play connections for ease of installation
- Complies with AS/NZ2293
- IP20 rated



CERTIFICATION	IP RATING	DIMMABLE
L - ION BATTERY	RECYCLABLE	BOX CTN QTY
		1 20



Part No.	Voltage	Watt	PF	CCT	Ra	Lumens	Beam Angle	Lifetime hrs	Fitting Colour	Dimensions (L x W x H x øD)mm
TSAL8UF6030	240V	3W	>0.9	6000K	>80	260lm	140	50,000	White	160 x 49 x 160

1300 555 586
 repelec.com.au



@RepelecAU

NEW

ALCHEMY

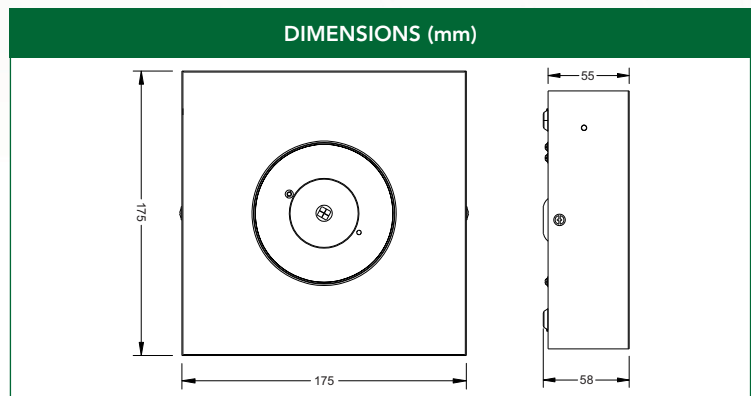
LED Surface Mount Emergency Downlight UFOFIRE

Features

- Energy efficient LED, low 0.5W standby power consumption
- Superior light output, D40 spacing classification to cover most applications
- Tamper resistant, no dome required
- Lithium Ion battery
- 3 hour emergency battery run time
- Self testing technology
- Large terminal block & cable entry
- Operating temperature: 1°C to 40°C
- Complies with AS/NZ2293
- IP20 rated



CERTIFICATION	IP RATING	DIMMABLE
L - ION BATTERY	RECYCLABLE	BOX CTN QTY
		1 20



Part No.	Voltage	Watt	PF	CCT	Ra	Lumens	Beam Angle	Lifetime hrs	Fitting Colour	Dimensions (L x W x H)mm
TSAL8UF6030-S	240V	3W	>0.9	6000K	>80	260lm	140	50,000	White	175 x 175 x 55

1300 555 586
repelec.com.au



@RepelecAU

NEW






ALCHEMY

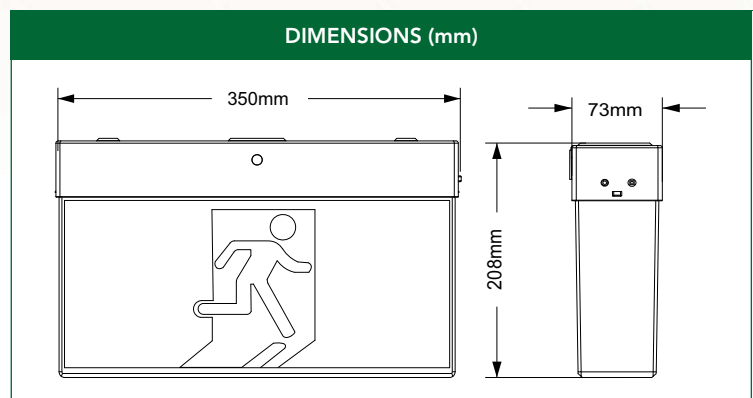
LED Universal Surface Mount Exit Light ONYX

Features

- Polycarbonate body and diffuser
- Wall and ceiling mount
- Energy efficient LED, low 3W standby power consumption
- Superior light output, 24m viewing distance
- Lithium Ion battery
- 3hrs emergency battery run-time
- Large terminal block and cable entry
- Operating temperature: 1°C to 40°C
- IP20 rated
- Complies with AS/NZ2293



CERTIFICATION	IP RATING	DIMMABLE
		
L - ION BATTERY	RECYCLABLE	BOX CTN QTY
		1 10



Part No.	Voltage	Watt	PF	CCT	Ra	Lumens	Beam Angle	Lifetime hrs	Fitting Colour	Dimensions (L x W x H)mm
TSAL80N1610	240V	3W	>0.9	6000K	>80	N/A	N/A	50,000	N/A	350 x 73 x 208

 **1300 555 586**
 **repelec.com.au**



 
  **@RepelecAU**