

30, 50, 100 & 150W LED Street Lights



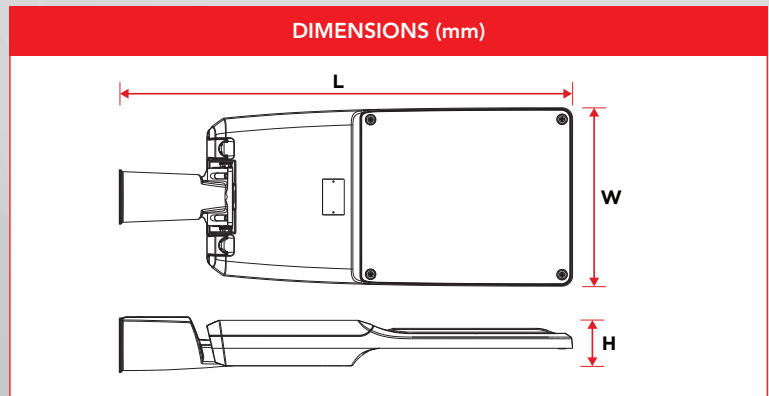
■ Features

- ❑ Aluminium housing powder coated black
- ❑ Polycarbonate optical lens
- ❑ Smooth body does not accumulate dust, sand or other solid material
- ❑ Pole mount with 60mm \varnothing spigot, adjustable -15° to $+15^{\circ}$
- ❑ Surge protection 4kV Line-Line, 10kV Line-Earth
- ❑ High efficiency SMD chips - 150Lm/w
- ❑ Operating temp: -30°C to $+50^{\circ}\text{C}$
- ❑ IP66 rated, IK09

■ Options

- ❑ Optional Photocell

CERTIFICATION	IP RATING	DIMMABLE
PROTECTION	IK RATING	BOX CTN QTY
		1 1



Part No.	Voltage AC	Watt	PF	CCT	Ra	Lumens	Beam Angle	Lifetime hrs	Fitting Colour	Dimensions (L x W x H)mm
TSSL30WB	120-277V	30W	>0.9	3000K/4000K	70	4,150-4460	R01610	100,000	Black	649 x 272 x 179
TSSL50WB	120-277V	50W	>0.9	3000K/4000K	70	6,968-7585	R01610	100,000	Black	649 x 272 x 179
TSSL100WB	120-277V	100W	>0.9	3000K/4000K	70	14,661-15,647	R01610	100,000	Black	649 x 272 x 179
TSSL150WB	120-277V	150W	>0.9	3000K/4000K	70	21,792-23,431	R01610	100,000	Black	770 x 309 x 240

Part Number	Description
TSSL30WB	LED Street Light 30W, 4000K Black, Includes 60mm Spigot
TSSL50WB	LED Street Light 50W, 4000K Black, Includes 60mm Spigot
TSSL100WB	LED Street Light 100W, 4000K Black, Includes 60mm Spigot
TSSL150WB	LED Street Light 150W, 4000K Black, Includes 60mm Spigot

Purchase from your Electrical Wholesaler