

TRADE\$AVE

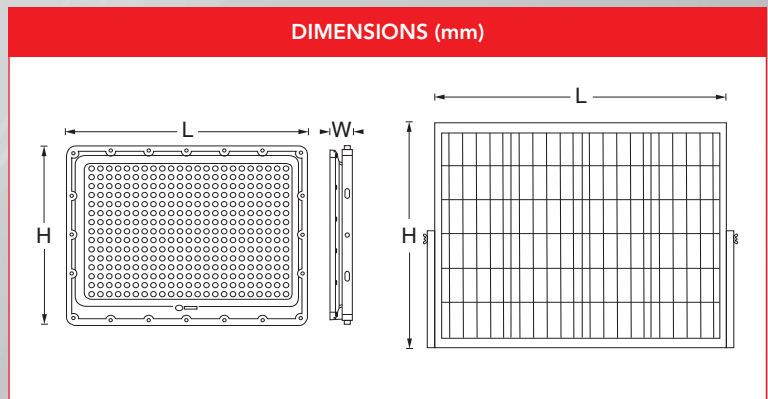
25 & 35W LED Solar Floodlights



Features

- Aluminium housing powder coated grey
- UV stabilised polycarbonate diffuser
- Low profile design
- High efficiency SMD chip 180Lm/w
- Operating Temp: -10°C to +60°C
- Charging time: 4-6 hours
- Solar panel: 5V/30W (25W) & 5V/50W (30W)
- Solar cable: 5m with PG60 weatherproof connector
- IP65 rated IK08
- Multi-function remote control:
 - On/Off
 - Brightness adjustment: 10-100%
 - Auto dusk to dawn setting
 - 3, 5 or 8 hour preset run on times

IP RATING	DIMMABLE	WARRANTY
IK RATING	DIY	BOX CTN QTY
 1.7kg @ 300mm		1 1



Part No.	Battery	Watt	CCT	Lumens	Beam Angle	Run Time hrs	Fitting Colour	Dimensions (Lights) (L x H x W)mm	Dimensions (Panels) (L x H x W)mm
TSFL25WSOLAR	3.2VDC/30Ah	25	6000K	4,500	90	12-16	Grey	369 x 255 x 45	600 x 20 x 350
TSFL35WSOLAR	3.2VDC/50Ah	35	6000K	6,300	90	12-16	Grey	441 x 301 x 45	670 x 25 x 535

1300 555 586
repelec.com.au



Facebook, Instagram, Twitter, YouTube icons
@RepelecAU