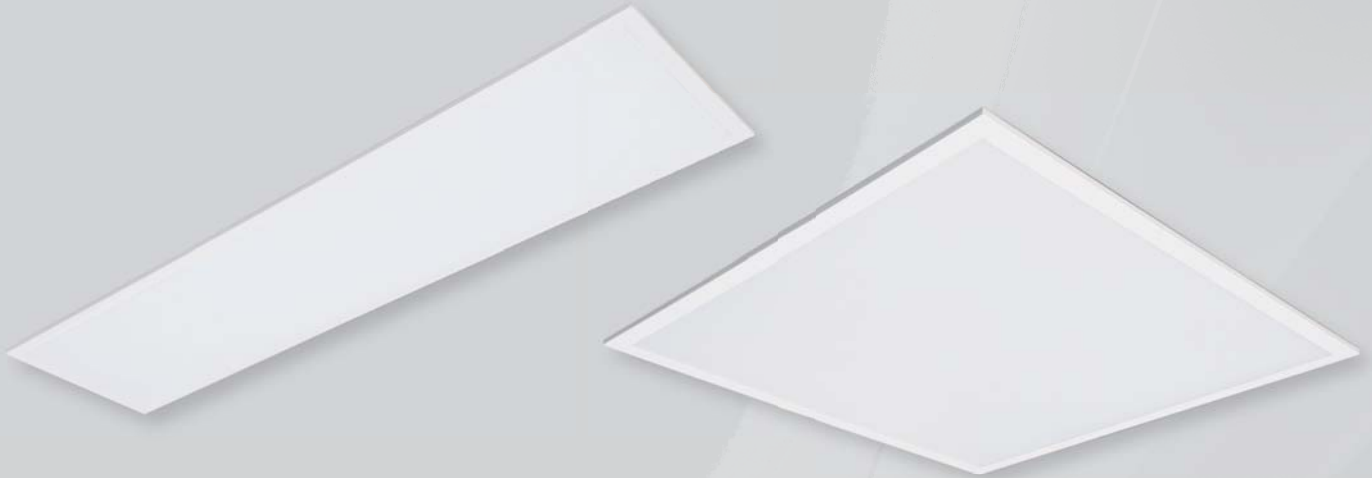


Backlit LED Flat Panels



Features

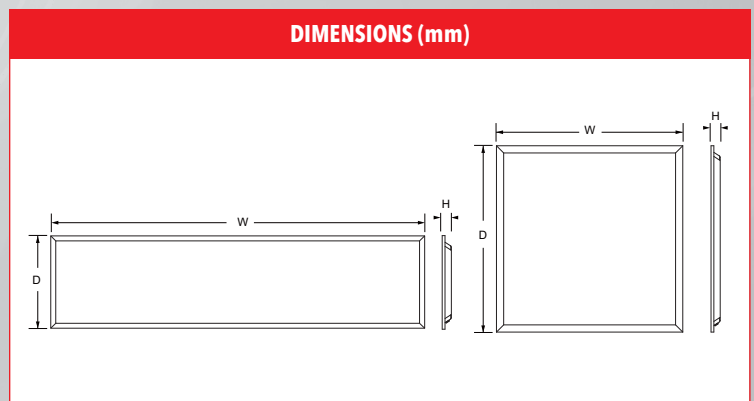
- Uniform light effect with optic lens
- Integrated sheet metal design provides excellent thermal management
- Slide switch function for colour temperature change
- Constant current driver
- 0.6m flex & plug
- 0.6m flex & plug
- Operating temp: -20°C to +45°C
- IP20 rated

Installation Options

- Pendant & recessed
- Installation

**IPART
VEU
APPROVED**

CERTIFICATION	IP RATING	DIMMABLE
COLOUR CHANGE	BOX CTN QTY	
	1 5	



Part No.	Voltage	Watt	PF	CCT	Ra	Lumens	Beam Angle	Lifetime hrs	Fitting Colour	Dimensions (L x W x H)mm
TSPBL6060TRI	200-240V	36W	0.9	3000K-4000K-5700K	80	3240-3600	120°	40,000	White	595 x 595 x 30
TSPBL30120TRI	200-240V	36W	0.9	3000K-4000K-5700K	80	3240-3600	120°	40,000	White	295 x 1195 x 30