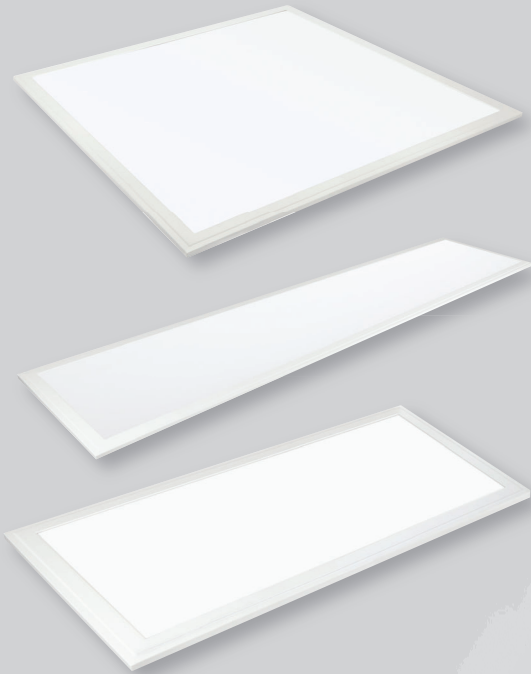


## Flat Panels For ceilings



### Features

- Ultra slim polystyrene diffuser
- Extruded aluminium frame
- Slide switch function for colour temperature change
- High efficiency SMD chips
- Constant current driver
- Operating temp: -20°C to 45°C
- IP40 rated

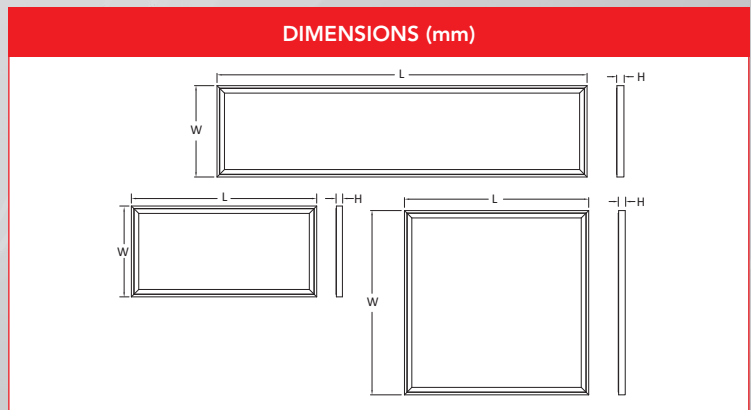
### Includes

- 2-pin LED panel light with remote non-dimmable driver
- 0.6m flex & plug

### Installation Options

- Recessed plaster ceiling installation (plaster frame is required)
- Surface mounted installation (surface mounted frame is required)
- Suspended (suspension kit is required)

<b>CERTIFICATION</b>	<b>IP RATING</b>	<b>DIMMABLE</b>
<b>COLOUR CHANGE</b>	<b>BOX   CTN QTY</b>	
	<b>1   5</b>	



Part No.	Voltage	Watt	PF	CCT	Ra	Lumens	Beam Angle	Lifetime hrs	Fitting Colour	Dimensions (H x W x L)mm
TSFP3060TRI	200-240V	25W	0.9	3000K, 4000K, 5700K	80	1977-2278-2280	120°	40,000	White	8 x 295 x 595mm
TSFP6060TRI	200-240V	36W	0.9	3000K, 4000K, 5700K	80	3072-3627-3707	120°	40,000	White	8 x 595 x 595mm
TSFP30120TRI	200-240V	36W	0.9	3000K, 4000K, 5700K	80	3072-3627-3707	120°	40,000	White	8 x 295 x 1195mm

Part No.	Model No.	VEET Status	IPART Status
TSFP3060TRI	UP-PL3060-36W-C3	Pending	Pending
TSFP6060TRI	UP-PL6060-40W-C3	Pending	Pending
TSFP30120TRI	UP-PL30120-40W-C3	Pending	Pending