

LED Highbay



Features

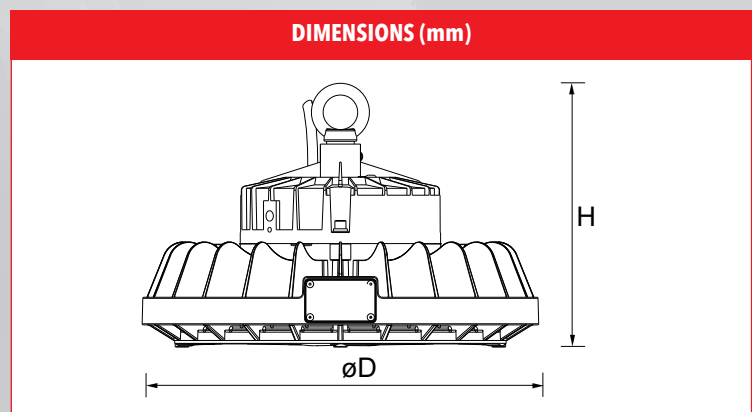
- Aluminium housing powder coated black
- Tempered glass lens
- Low profile design
- Surge protected 4kV Line-Line
- High efficiency SMD chip 130Lm/w
- Operating Temp: -30°C to +50°C
- IP65 rated

Dimming Options (custom order on request)

- 240V leading, trailing & universal
- DALI

**IPART
VEET
APPROVED**

CERTIFICATION	IP RATING	DIMMABLE
PROTECTION	BOX CTN QTY	
	1 2	



Part No.	Voltage AC	Watt	PF	CCT	Ra	Lumens	Beam Angle	Lifetime hrs	Fitting Colour	Dimensions (H x D)mm
TSHB150W5K	200-240V	150W	0.9	5000K	70	19,500	120°	50,000	Black	176 x 287
TSHB200W5K	200-240V	200W	0.9	5000K	70	26,000	120°	50,000	Black	191 x 287