

**LED
Indoor Battens
Emergency with
Plug-in Sensor
For Ceilings & Walls**



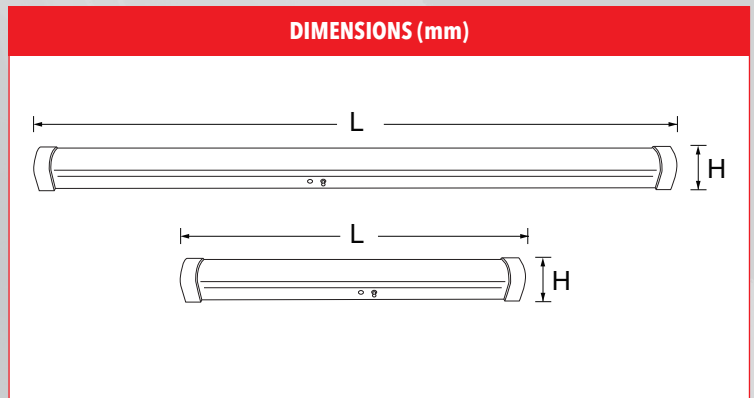
Features

- Powder coated aluminium body with polycarbonate diffuser
- 20W/40W switchable wattage (1210mm only)
- Slide switch function for colour temp change
- Energy efficient LED, low 3.5W standby power
- Lithium-Ion battery
- 3 hrs emergency battery runtime
- Manual test switch
- Large terminal block and cable entry
- Operating temp: -10°C to +40°C
- IP20 rated

Installation Options (Plug in Microwave sensor)

- 5.8Ghz
- Operating voltage 5-12VDC
- 2sec-10min adjustable
- 15m detection range
- Standby light output adjustable from 0 - 50%
- 360 degree detection angle

CERTIFICATION	IP RATING	DIMMABLE
COLOUR CHANGE	BOX CTN QTY	
	1 6	



Part No.	Voltage	Watt	PF	CCT	Ra	Lumens	Beam Angle	Lifetime hrs	Fitting Colour	Dimensions (L x W x H)mm
TSAL8B1802-E	240V	20/40W	>0.9	3000K-4000K-5700K	80	1800-4000-3800	120	50,000	White	1210 x 75 x 65
TSAL8B1803-E	240V	20W	>0.9	3000K-4000K-5700K	80	1800-2000-1900	120	50,000	White	650 x 75 x 65

Part No.	Description	Colour	Dimensions
TSAL8MS01	Microwave Sensor Plug-in	White	34 x 75 x 37mm