

NEW






TRADE\$AVE

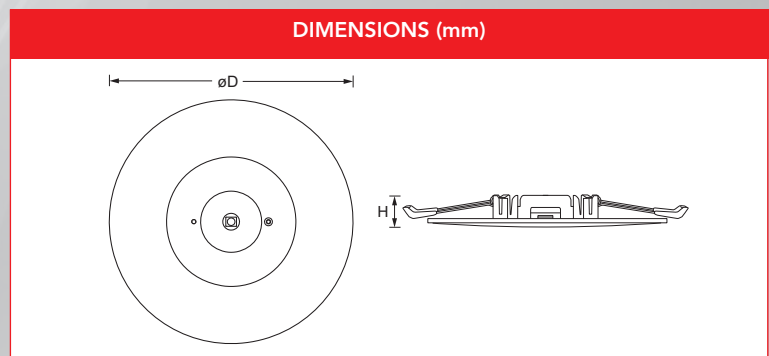
LED Recessed Emergency Downlight



■ Features

- ❑ VO flame retardant ABS
- ❑ Non-maintained
- ❑ Energy efficient LED, low 0.5W standby power consumption
- ❑ Superior light output, D40 spacing classification to cover most applications
- ❑ Tamper resistant, no dome required
- ❑ Lithium Ion battery 3.2V, 1500mAh
- ❑ 3 hour emergency battery run-time
- ❑ Self testing
- ❑ Operating temp: -0°C to +40°C
- ❑ Plug & play connections for ease of installation
- ❑ Complies with AS/NZ2293
- ❑ IP20 rated

CERTIFICATION	IP RATING	COLOUR TEMP
		
PROTECTION	WARRANTY	BOX CTN QTY
		1 20



Part No.	Voltage AC	Wattage	Power Factor	CCT	Ra	Battery	Beam Angle	Fitting Colour	Dimensions (øD x H) mm
TSSD1	200-240V	2W	>0.9	6000K	80	Lithium Ion	120°	White	160 x 12

 **1300 555 586**
 **repelec.com.au**

rep ELEC
TRADE SOLUTIONS

  **@RepelecAU**
 

NEW

TRADE\$AVE

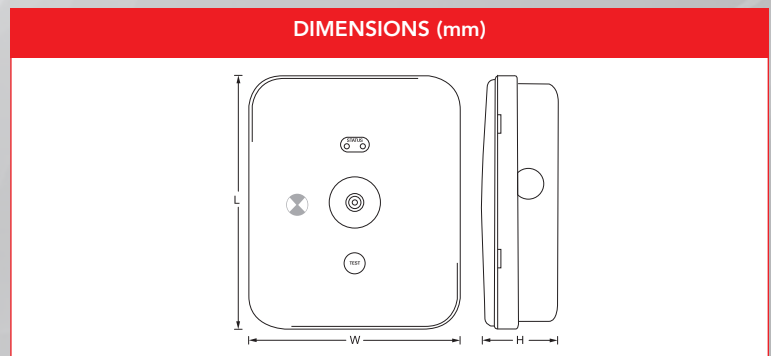
LED Surface Mount Emergency Downlight



■ Features

- ❑ VO flame retardant ABS
- ❑ Non-maintained
- ❑ Energy efficient LED, low 0.5W standby power consumption
- ❑ Superior light output, D40 spacing classification to cover most applications
- ❑ Tamper resistant, no dome required
- ❑ Lithium Ion battery 3.2V, 3200mAh
- ❑ 3 hour emergency battery run-time
- ❑ Self testing
- ❑ Large terminal block & cable entry
- ❑ Operating temp: -0°C to +40°C
- ❑ Complies with AS/NZ2293
- ❑ IP20 rated

CERTIFICATION	IP RATING	COLOUR TEMP
PROTECTION	WARRANTY	BOX CTN QTY
		1 20



Part No.	Voltage AC	Wattage	Power Factor	CCT	Ra	Battery	Beam Angle	Fitting Colour	Dimensions (L x W x H) mm
TSSD1SM	200-240V	4W	>0.9	6000K	80	Lithium Ion	120°	White	152 x 183 x 52

1300 555 586
 repelec.com.au



@RepelecAU

NEW

TRADE\$AVE

Recessed Blade Exit Light



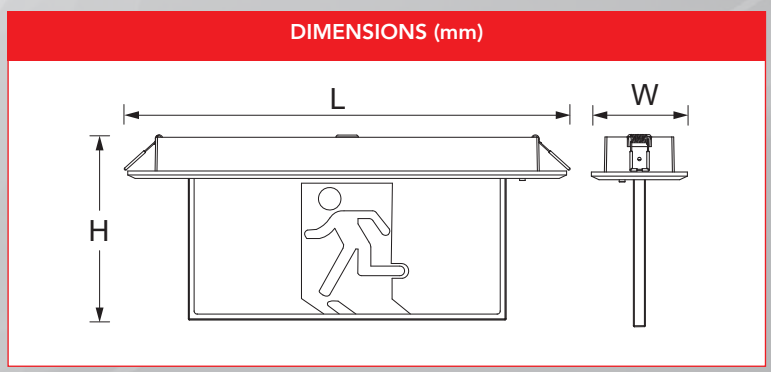
■ Features

- ❑ Polycarbonate body and diffuser
- ❑ Ceiling mount
- ❑ Energy efficient LED, low 3W standby power consumption
- ❑ Superior light output 24m viewing distance
- ❑ Lithium Ion battery 3.2V, 1500mAh
- ❑ 3hrs emergency battery run-time
- ❑ Self testing
- ❑ Large terminal block and cable entry
- ❑ Operating temp: -0°C to +40°C
- ❑ IP20 rated
- ❑ Complies with AS/NZ2293

Includes the following decals

- ❑ Standard running man
- ❑ Running man with left arrow
- ❑ Running man with right arrow

CERTIFICATION	IP RATING	COLOUR TEMP
PROTECTION	WARRANTY	BOX CTN QTY
		1 10



Part No.	Voltage AC	Wattage	Power Factor	CCT	Ra	Battery	Beam Angle	Fitting Colour	Dimensions (L x W x H) mm
TSEBR	200-240V	3W	>0.9	6500K	80	Lithium Ion	120°	White	350 x 100 x 220

1300 555 586
 repelec.com.au



@RepelecAU

NEW

TRADE\$AVE

Surface Mount Blade Exit Light



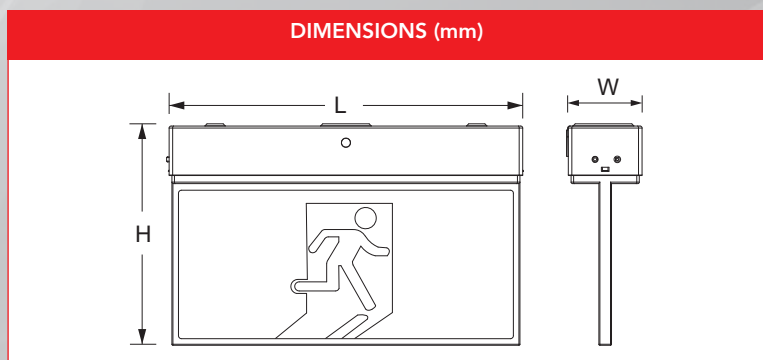
■ Features

- ❑ Polycarbonate body and diffuser
- ❑ Wall and ceiling mount
- ❑ Energy efficient LED, low 3W standby power consumption
- ❑ Superior light output 24m viewing distance
- ❑ Lithium Ion battery 3.2V, 1500mAh
- ❑ 3hrs emergency battery run-time
- ❑ Self testing
- ❑ Large terminal block and cable entry
- ❑ Operating temp: -0°C to +40°C
- ❑ IP20 rated
- ❑ Complies with AS/NZ2293

Includes the following decals

- ❑ Standard running man
- ❑ Running man with left arrow
- ❑ Running man with right arrow

CERTIFICATION	IP RATING	COLOUR TEMP
PROTECTION	WARRANTY	BOX CTN QTY
		1 10



Part No.	Voltage AC	Wattage	Power Factor	CCT	Ra	Battery	Beam Angle	Fitting Colour	Dimensions (L x W x H) mm
TSEBW	200-240V	3W	>0.9	6500K	80	Lithium Ion	120°	White	350 x 73 x 220

1300 555 586
repelec.com.au



@RepelecAU

NEW

TRADE\$AVE

Universal Surface Mount Exit Light



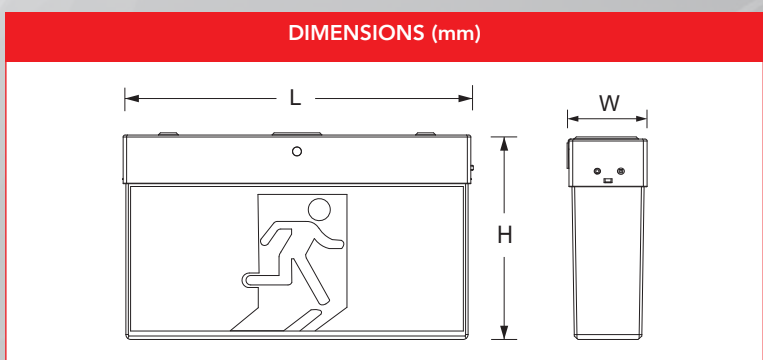
■ Features

- ❑ Polycarbonate body and diffuser
- ❑ Wall and ceiling mount
- ❑ Energy efficient LED, low 3W standby power consumption
- ❑ Superior light output, 24m viewing distance
- ❑ Lithium Ion battery 3.2V, 1500mAh
- ❑ 3hrs emergency battery run-time
- ❑ Self testing
- ❑ Large terminal block and cable entry
- ❑ Operating temp: -0°C to +40°C
- ❑ IP20 rated
- ❑ Complies with AS/NZ2293

Includes the following decals

- ❑ Standard running man
- ❑ Running man with left arrow
- ❑ Running man with right arrow

CERTIFICATION	IP RATING	COLOUR TEMP
PROTECTION	WARRANTY	BOX CTN QTY
		1 10



Part No.	Voltage AC	Wattage	Power Factor	CCT	Ra	Battery	Beam Angle	Fitting Colour	Dimensions (L x W x H) mm
TSESC	200-240V	3W	>0.9	6500K	80	Lithium Ion	120°	White	350 x 73 x 208

1300 555 586
repelec.com.au



@RepelecAU