



CONTENTS

Downlights



4-7

Indoor Oyster
Standard & Emergency



8-9

Weatherproof
Oyster Light



10

Bulkheads



11-12

Pendants



13-14

Linkable Battens



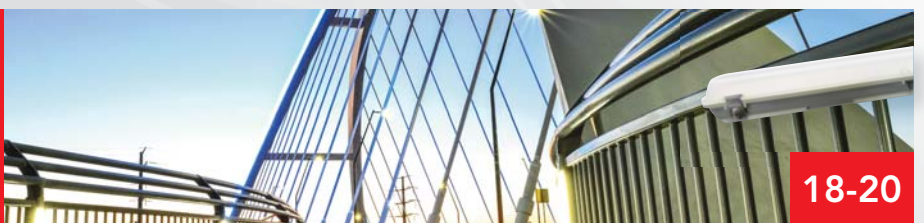
15

Indoor Battens,
Standard & Emergency



16-17

Weatherproof Battens
Standard & Emergency



18-20

Flat Panels



21-22

Surface Mount,
Recessed Plaster Frames,
Suspension Kits



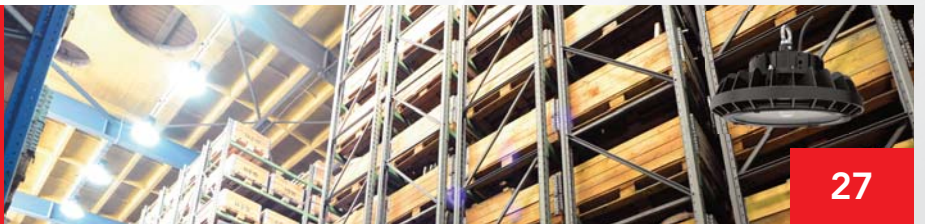
23-25

LED Tubes



26

LED Highbays



27

LED Street Light



28

Emergency Downlights



29-30

Twin Spot Weatherproof
Emergency



31

Exit Lights



32-38

**Downlight
Integrated Driver
Flush mount**



Features

- Plastic housing
- Polycarbonate diffuser
- Slide switch function for colour temperature change (TSDL10WITRI only)
- High efficiency SMD chips
- Constant current driver
- IC-4
- 0.6m flex and plug 2 pin
- Operating temp: -20°C to +45°C
- IP54 rated

Dimming Options

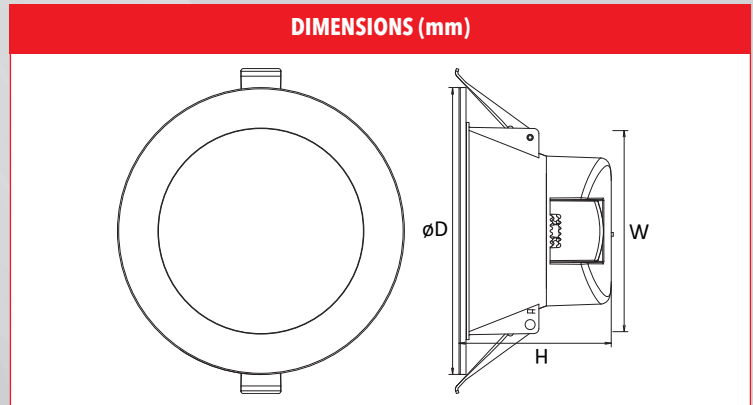
- Trailing and leading edge
- Universal

Accessories

- Brushed nickel cover ring



| CERTIFICATION | IP RATING | DIMMABLE |
|---------------|----------------------|---------------|
| | | |
| IC-4 | COLOUR CHANGE | BOX CTN QTY |
| | TSDL10WITRI only | 1 30 |



| Part No. | Voltage | Watt | PF | CCT | Ra | Lumens | Beam Angle | Lifetime hrs | Fitting Colour | Dimensions (øD x W x H)mm | Cutout ømm |
|-------------|----------|------|-----|-------------------|----|-------------|------------|--------------|----------------|---------------------------|------------|
| TSDL10WITRI | 200-240V | 10W | 0.9 | 3000K-4000K-5700K | 80 | 800-940-870 | 90° | 40,000 | White | 115 x 80 x 61 | 90-95 |
| TSDL10WI3K | 200-240V | 10W | 0.9 | 3000K | 80 | 800 | 90° | 40,000 | White | 115 x 80 x 61 | 90-95 |
| TSDL10WI4K | 200-240V | 10W | 0.9 | 4000K | 80 | 940 | 90° | 40,000 | White | 115 x 80 x 61 | 90-95 |
| TSDL10WI5K | 200-240V | 10W | 0.9 | 5700K | 80 | 870 | 90° | 40,000 | White | 115 x 80 x 61 | 90-95 |

| Part No. | Description | Colour | Dimensions |
|----------|---|----------------|--------------|
| TSDLRING | Downlight Brushed Nickel Ring to suit TSDL10WITRI/TSDL10WITRI | Brushed Nickel | ø115 x 3.8mm |

| Part No. | Certification Model No. | VEET Status | IPART Status |
|-------------|-------------------------|-------------|--------------|
| TSDL10WITRI | TSDL10WITRI | Pending | Pending |
| TSDL10WI3K | TSDL10WI3K | Pending | Pending |
| TSDL10WI4K | TSDL10WI4K | Pending | Pending |
| TSDL10WI5K | TSDL10WI5K | Pending | Pending |



Downlight Integrated Driver Recessed mount



Features

- Plastic housing
- Polycarbonate diffuser
- Slide switch function for colour temperature change
- High efficiency SMD chips
- Constant current driver
- IC-4
- 0.6m flex and plug 2 pin
- Operating temp: -20°C to +45°C
- IP54 rated

Dimming Options

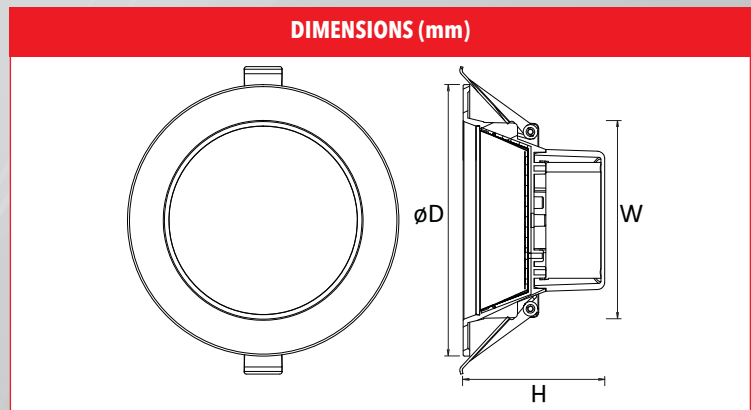
- Trailing and leading edge
- Universal

Accessories

- Brushed nickel cover ring



| CERTIFICATION | IP RATING | DIMMABLE |
|---------------|---------------|---------------|
| | | |
| IC-4 | COLOUR CHANGE | BOX CTN QTY |
| | | 1 30 |



| Part No. | Voltage | Watt | PF | CCT | Ra | Lumens | Beam Angle | Lifetime hrs | Fitting Colour | Dimensions (øD x W x H)mm | Cutout ømm |
|--------------|----------|------|-----|-------------------|----|-------------|------------|--------------|----------------|---------------------------|------------|
| TSDL10WIRTRI | 200-240V | 10W | 0.9 | 3000K-4000K-5700K | 80 | 800-940-870 | 90° | 40,000 | White | 115 x 80 x 61 | 90-95 |

| Part No. | Description | Colour | Dimensions |
|----------|--|----------------|--------------|
| TSDLRING | Downlight Brushed Nickel Ring to suit TSDL10WITRI/TSDL10WIRTRI | Brushed Nickel | ø115 x 3.8mm |

| Part No. | Certification Model No. | VEET Status | IPART Status |
|--------------|-------------------------|-------------|--------------|
| TSDL10WIRTRI | TSDL10WIRTRI | Pending | Pending |

**Downlight
Remote Driver
Recessed mount**



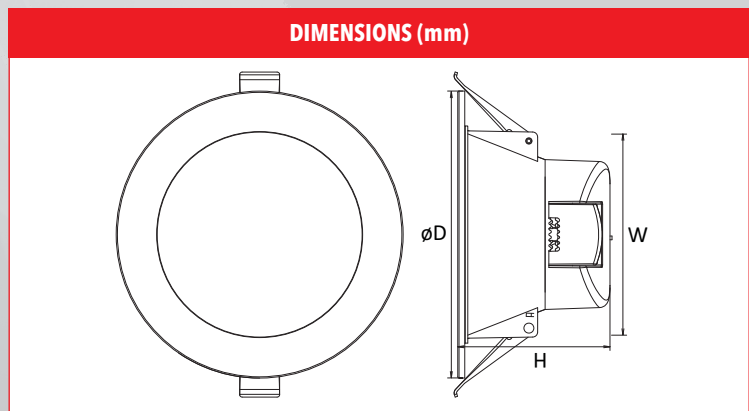
Features

- Aluminium housing
- Polycarbonate diffuser
- Slide switch function for colour temperature change
- High efficiency SMD chips
- Constant current driver
- IC-4 (TSDL10WRTRI only)
- 0.6m flex and plug 2-pin
- Operating temp: -20°C to +45°C
- IP54 rated

Dimming Options

- Trailing and leading edge
- Universal

| CERTIFICATION | IP RATING | DIMMABLE |
|----------------------|---------------|--|
| | | |
| IC-4 | COLOUR CHANGE | BOX CTN QTY |
| TSDL10WRTRI only | | 1 36 1 30 1 20 1 10 |



| Part No. | Voltage | Watt | PF | CCT | Ra | Lumens | Beam Angle | Lifetime hrs | Fitting Colour | Dimensions (øD x W x H)mm | Cutout ømm |
|-------------|----------|------|-----|-------------------|----|----------------|------------|--------------|----------------|---------------------------|------------|
| TSDL10WRTRI | 200-240V | 10W | 0.9 | 3000K-4000K-5700K | 80 | 800-950-850 | 90° | 50,000 | White | 110 x 88 x 38 | 90-95 |
| TSDL15WRTRI | 200-240V | 15W | 0.9 | 3000K-4000K-5700K | 80 | 1200-1430-1280 | 90° | 50,000 | White | 145 x 118 x 45 | 120-130 |
| TSDL18WRTRI | 200-240V | 18W | 0.9 | 3000K-4000K-5700K | 80 | 1410-1800-1710 | 90° | 50,000 | White | 190 x 155 x 45 | 160-170 |
| TSDL25WRTRI | 200-240V | 25W | 0.9 | 3000K-4000K-5700K | 80 | 2150-2650-2430 | 90° | 50,000 | White | 228 x 198 x 45 | 200-210 |

| Part No. | Certification Model No. | VEET Status | IPART Status |
|-------------|-------------------------|-------------|--------------|
| TSDL10WRTRI | TSDL10WRTRI | Pending | Pending |
| TSDL15WRTRI | TSDL15WRTRI | Pending | Pending |
| TSDL18WRTRI | TSDL18WRTRI | Pending | Pending |
| TSDL25WRTRI | TSDL25WRTRI | Pending | Pending |



Faceted Downlight with Remote Driver



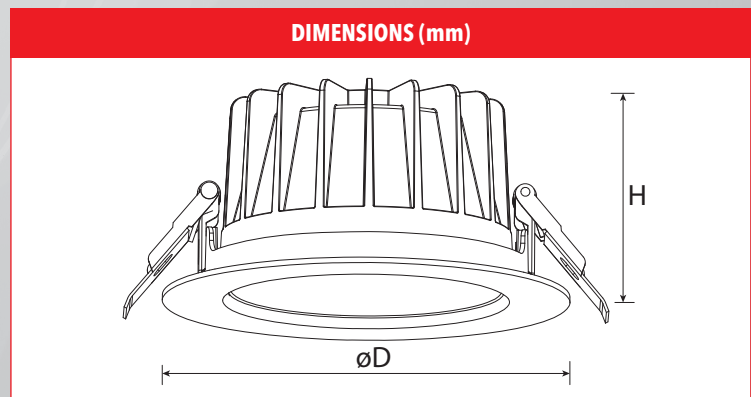
Features

- Aluminium Housing
- Polycarbonate diffuser
- Highly faceted reflector
- Slide switch function for colour temperature change
- High efficiency SMD chips
- Constant current remote driver
- 0.6m flex & plug 2-pin
- Operating temp: -20°C to +45°C
- IP54

Dimming Options

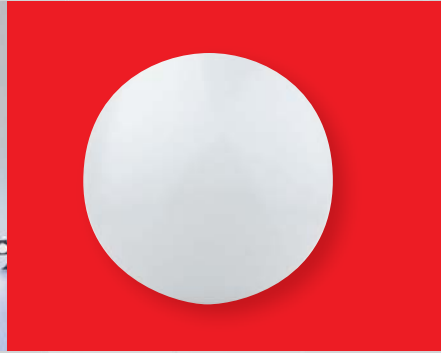
- Trailing and leading edge
- Universal

| | | |
|----------------------|----------------------|-----------------|
| CERTIFICATION | IP RATING | DIMMABLE |
| | | |
| COLOUR CHANGE | BOX CTN QTY | |
| | 36 18 12 | |







| Part No. | Voltage | Watt | PF | CCT | Ra | Lumens | Beam Angle | Lifetime hrs | Fitting Colour | Dimensions (øD x H)mm | Cutout ømm |
|----------------|---------|------|-----|-------------------|----|-----------|------------|--------------|-----------------|-----------------------|------------|
| TSDL178310WTRI | 240V | 10W | 0.9 | 3000K-4000K-5700K | 80 | 1000-1100 | 24/36/60 | 50,000 | White/Aluminium | 95 x 54 | 90-95 |
| TSDL178618WTRI | 240V | 18W | 0.9 | 3000K-4000K-5700K | 80 | 2020-2200 | 24/36/60 | 50,000 | White/Aluminium | 172 x 90 | 150-165 |
| TSDL178625WTRI | 240V | 25W | 0.9 | 3000K-4000K-5700K | 80 | 2500-2700 | 24/36/60 | 50,000 | White/Aluminium | 172 x 90 | 150-165 |
| TSDL178818WTRI | 240V | 18W | 0.9 | 3000K-4000K-5700K | 80 | 2020-2200 | 24/36/60 | 50,000 | White/Aluminium | 228 x 99 | 200-210 |
| TSDL178825WTRI | 240V | 25W | 0.9 | 3000K-4000K-5700K | 80 | 2500-2700 | 24/36/60 | 50,000 | White/Aluminium | 228 x 99 | 200-210 |
| TSDL178835WTRI | 240V | 35W | 0.9 | 3000K-4000K-5700K | 80 | 3500-3900 | 24/36/60 | 50,000 | White/Aluminium | 228 x 99 | 200-210 |

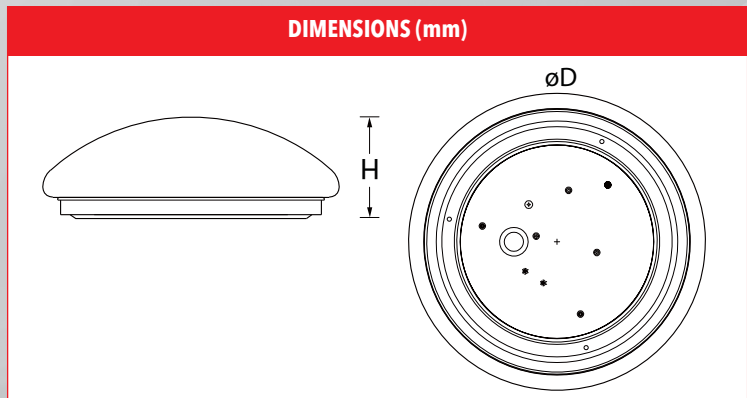
LED
Oyster Light Opal
For Ceilings & Walls



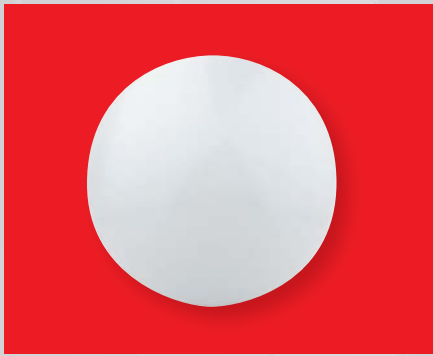
Features

- Powder coated sheet metal base with polycarbonate diffuser
- Slide switch function for colour temperature change
- High efficiency SMD chips
- Constant current driver
- Large terminal block and cable entry
- Operating temp: -10°C to +40°C
- IP20 rated

| | | |
|---|---|---|
| CERTIFICATION | IP RATING | DIMMABLE |
|  |  |  |
| COLOUR CHANGE | BOX CTN QTY | |
|  | 1 5 | |



| Part No. | Voltage | Watt | PF | CCT | Ra | Lumens | Beam Angle | Lifetime hrs | Fitting Colour | Dimensions (øD x H)mm |
|--------------|---------|------|-----|-------------------|----|----------------|------------|--------------|----------------|-----------------------|
| TSAL80P34520 | 240V | 20W | 0.9 | 3000K-4000K-5700K | 80 | 2000-2100-2000 | 120° | 50,000 | White | 296 x 100 |
| TSAL80P34530 | 240V | 30W | 0.9 | 3000K-4000K-5700K | 80 | 2700-2950-2750 | 120° | 50,000 | White | 385 x 110 |



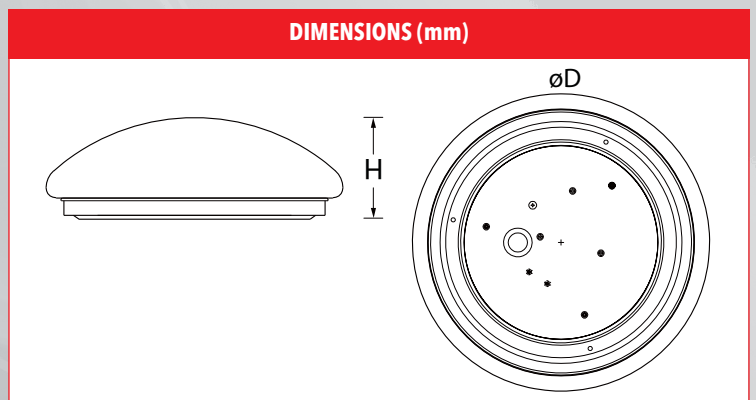
**LED Oyster Light
Opal Emergency
For Ceilings & Walls**



Features

- Powder coated sheet metal base with polycarbonate diffuser
- Slide switch function for colour temperature change
- High efficiency SMD chips
- Constant current driver
- Manual test switch
- 4W standby power
- Intelligent current limited charging system
- Large terminal block and cable entry
- Operating temp: -10°C to +40°C
- IP20 rated

| | | |
|----------------------|----------------------|-----------------|
| CERTIFICATION | IP RATING | DIMMABLE |
| | | |
| COLOUR CHANGE | BOX CTN QTY | |
| | 1 20 | |



| Part No. | Voltage | Watt | PF | CCT | Ra | Lumens | Beam Angle | Lifetime hrs | Fitting Colour | Dimensions (øD x H)mm |
|---------------|---------|------|-----|-------------------|----|----------------|------------|--------------|----------------|-----------------------|
| TSAL80P4020-E | 240V | 20W | 0.9 | 3000K-4000K-5700K | 80 | 2000-2100-2000 | 120° | 50,000 | White | 296 x 100 |
| TSAL80P4028-E | 240V | 30W | 0.9 | 3000K-4000K-5700K | 80 | 2700-2950-2750 | 120° | 50,000 | White | 385 x 110 |

**Weatherproof
Oyster Light
For Ceilings & Walls**



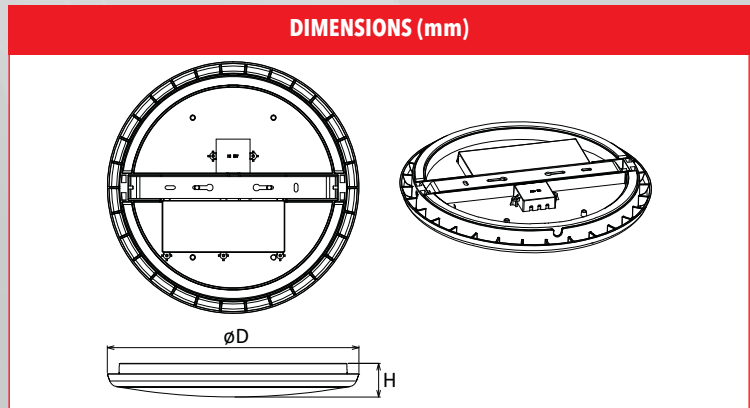
Features

- Polycarbonate base & diffuser
- Slide switch function for colour temperature change
- High efficiency SMD chips
- Constant current driver
- Double insulated
- Large terminals for easy installation
- Operating temp: -20°C to +45°C
- IP54 rated

Dimming Options

- Trailing and leading edge
- Universal

| | | |
|----------------------|-------------------------|----------------------|
| CERTIFICATION | IP RATING | DIMMABLE |
| | | |
| COLOUR CHANGE | DOUBLE INSULATED | BOX CTN QTY |
| | | 1 10 |



| Part No. | Voltage | Watt | PF | CCT | Ra | Lumens | Beam Angle | Lifetime hrs | Fitting Colour | Dimensions (øD x H) mm |
|-------------|----------|------|-----|-------------------|----|----------------|------------|--------------|----------------|------------------------|
| TSOYS18WTRI | 200-240V | 18W | 0.9 | 3000K-4000K-5700K | 80 | 1620-1890-1855 | 120° | 40,000 | White | 300 x 40 |
| TSOYS25WTRI | 200-240V | 25W | 0.9 | 3000K-4000K-5700K | 80 | 2480-2700-2610 | 120° | 40,000 | White | 350 x 40 |

| Part No. | Certification Model No. | VEET Status | IPART Status |
|-------------|-------------------------|-------------|--------------|
| TSOYS18WTRI | TSOYS18WTRI | Pending | Pending |
| TSOYS25WTRI | TSOYS25WTRI | Pending | Pending |



LED Bulkhead For Ceilings & Walls



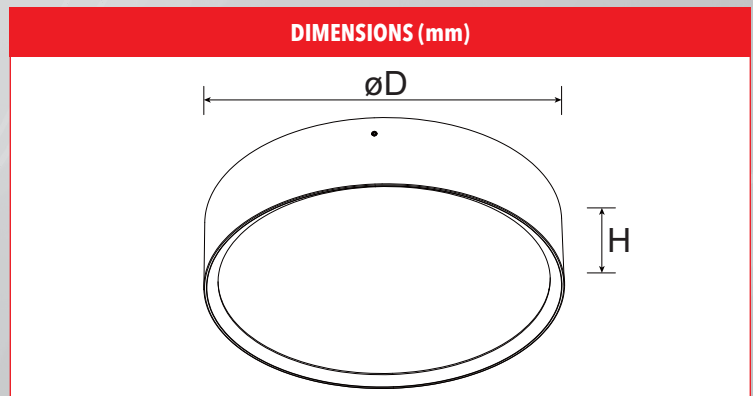
Features

- Aluminium housing
- Polycarbonate diffuser
- Slide switch function for colour temperature change
- High efficiency SMD chips
- Constant current driver
- Large terminals for easy installation
- Operating temp: -20°C to +45°C
- IP65 rated at IK10 impact resistance

Dimming Options

- Trailing and leading edge
- Universal

| CERTIFICATION | IP RATING | DIMMABLE |
|---------------|-----------------|---------------|
| | | |
| COLOUR CHANGE | IK RATING | BOX CTN QTY |
| | 5kg @ 405mm | 1 10 |



| Part No. | Voltage | Watt | PF | CCT | Ra | Lumens | Beam Angle | Lifetime hrs | Fitting Colour | Dimensions (øD x H)mm |
|--------------|---------|------|-----|-------------------|----|----------------|------------|--------------|----------------|-----------------------|
| TSBULK12WTRI | 240V | 12W | 0.9 | 3000K-4000K-5700K | 80 | 980-1200-1000 | 110° | 50,000 | Black | 250 x 58 |
| TSBULK18WTRI | 240V | 18W | 0.9 | 3000K-4000K-5700K | 80 | 1400-1750-1500 | 110° | 50,000 | Black | 250 x 58 |

Half Moon LED Bulkhead For Walls



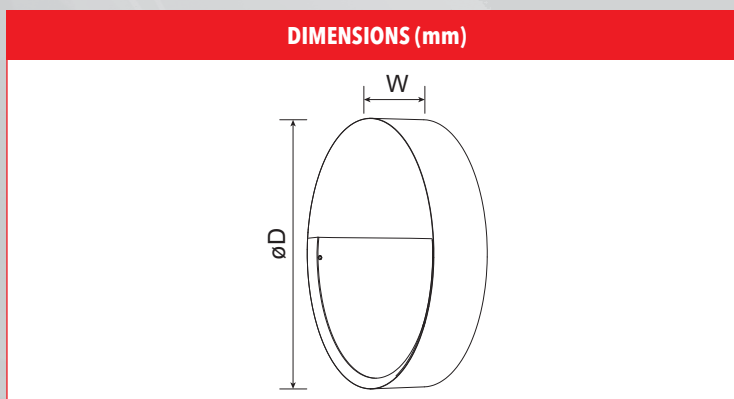
Features

- Aluminium housing
- Polycarbonate diffuser
- Slide switch function for colour temperature change
- High efficiency SMD chips
- Constant current integrated driver
- Large terminals for easy installation
- Operating temp: -20°C to +45°C
- IP65 rated at IK10 impact resistance

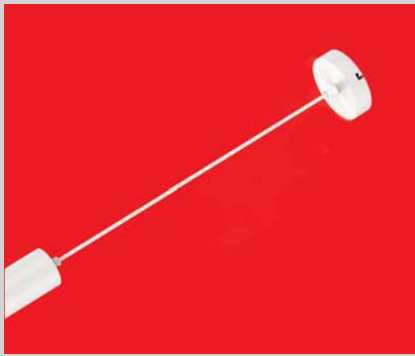
Dimming Options

- Trailing and leading edge
- Universal

| | | |
|----------------------|------------------|----------------------|
| CERTIFICATION | IP RATING | DIMMABLE |
| | | |
| COLOUR CHANGE | IK RATING | BOX CTN QTY |
| | 5kg @ 405mm | 1 10 |



| Part No. | Voltage | Watt | PF | CCT | Ra | Lumens | Beam Angle | Lifetime hrs | Fitting Colour | Dimensions (øD x W)mm |
|---------------|---------|------|-----|-------------------|----|--------------|------------|--------------|----------------|-----------------------|
| TSBULKH12WTRI | 240V | 12W | 0.9 | 3000K-4000K-5700K | 80 | 880-1050-900 | 110 | 50,000 | Black | 250 x 74 |



LED Pendant Light For Ceilings



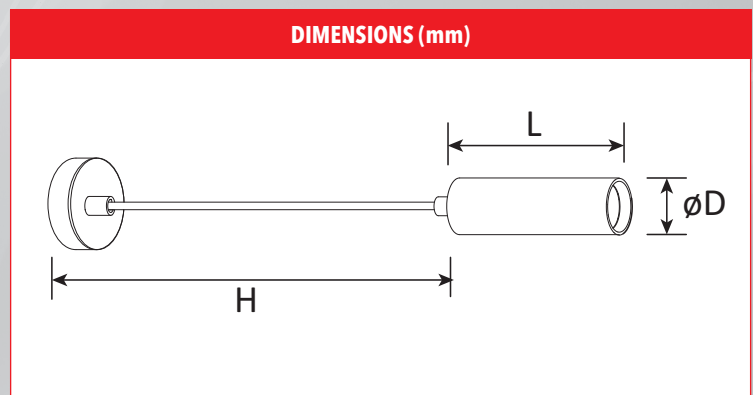
Features

- Aluminium housing
- High efficiency COB chips
- Constant current integrated driver
- Large terminals for easy installation
- Operating temp: -20°C to +45°C
- IP20 rated

Colour Option

- Black or white powder coated

| CERTIFICATION | IP RATING | DIMMABLE |
|---------------|--------------------|----------|
| | | |
| COLOUR TEMP | BOX CTN QTY | |
| | 1 18 12 | |



| Part No. | Voltage | Watt | PF | CCT | Ra | Lumens | Beam Angle | Lifetime hrs | Fitting Colour | Dimensions (øD x L x H)mm |
|---------------|---------|------|-----|-------|----|--------|------------|--------------|----------------|---------------------------|
| TSPD12245W4K* | 240V | 5W | 0.9 | 4000K | 80 | 500 | 24° | 50,000 | White/Black | 39 x 300 x1080 |
| TSPD12365W4K* | 240V | 5W | 0.9 | 4000K | 80 | 500 | 36° | 50,000 | White/Black | 39 x 500 x1080 |
| TSPD12605W4K* | 240V | 10W | 0.9 | 4000K | 80 | 1000 | 60° | 50,000 | White/Black | 58 x 180 x1080 |

* Colour ordering: Black add BK - White add WH after part number

**LED
Pendant Light
For Ceilings**



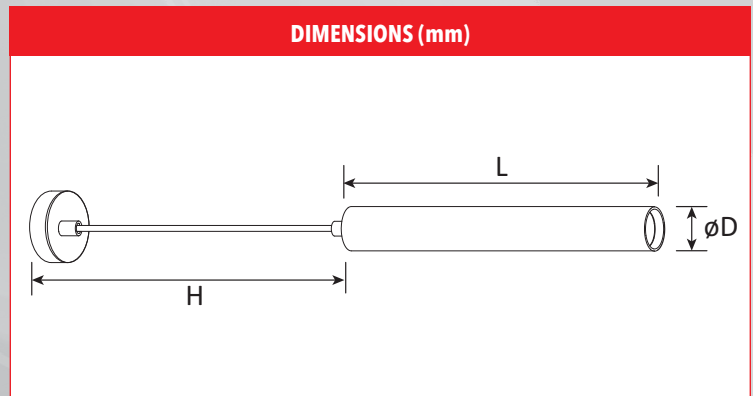
Features

- Aluminium housing
- High efficiency COB chips
- Constant current integrated driver
- Large terminals for easy installation
- Operating temp: -20°C to +45°C
- IP20 rated

Colour Option

- Black or white powder coated

| | | |
|----------------------|----------------------|-----------------|
| CERTIFICATION | IP RATING | DIMMABLE |
| | | |
| COLOUR TEMP | BOX CTN QTY | |
| | 1 6 | |

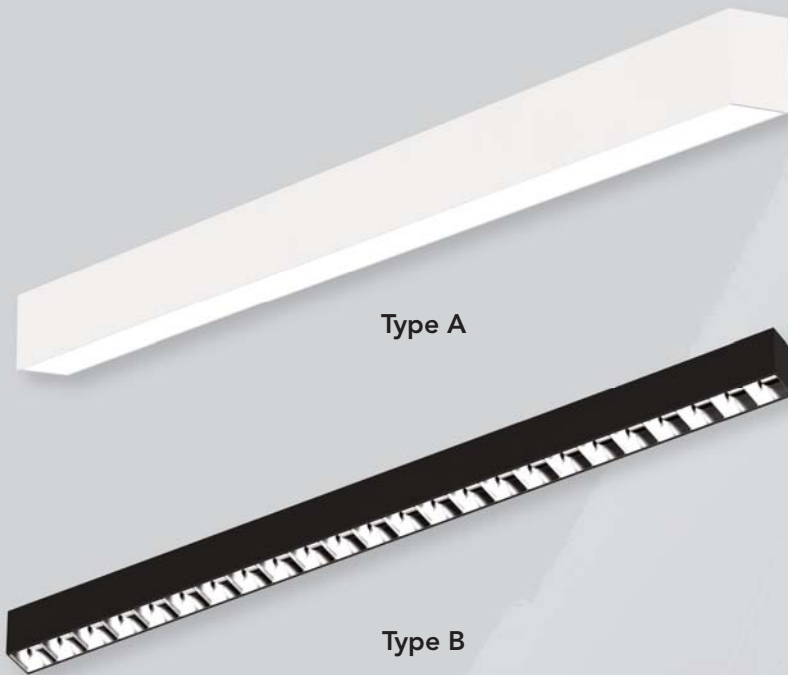


| Part No. | Voltage | Watt | PF | CCT | Ra | Lumens | Beam Angle | Lifetime hrs | Fitting Colour | Dimensions (øD x L x H)mm |
|---------------|---------|------|-----|-------|----|--------|------------|--------------|----------------|---------------------------|
| TSPD12B10W4K* | 240V | 10W | 0.9 | 4000K | 80 | 1000 | 24° | 50,000 | White/Black | 39 x 300 x 1080 |
| TSPD12B15W4K* | 240V | 15W | 0.9 | 4000K | 80 | 1650 | 36° | 50,000 | White/Black | 39 x 300 x 1080 |

* Colour ordering: Black add BK - White add WH after part number



LED Linkable Batten For Ceilings



Features

- Polycarbonate diffuser (Type A)
- Aluminium louvred diffusion (Type B)
- Slide switch function for colour temperature change
- High efficiency SMD chips
- Anti glare design (UGR19) (Type B)
- Large terminals for easy installation
- Operating temp: -20°C to +45°C
- IP20 rated & IK06 impact resistant

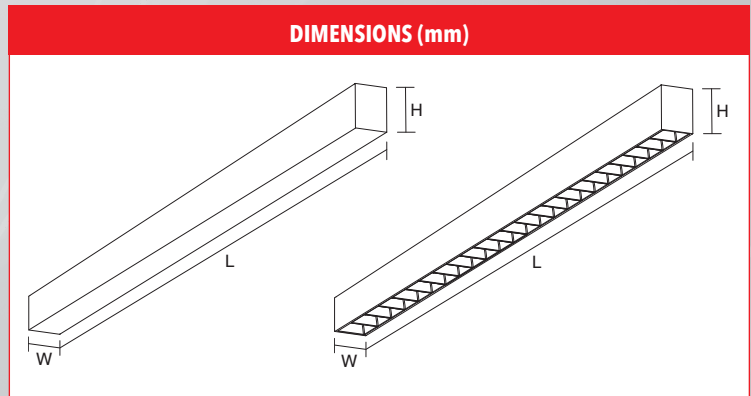
Dimming Options (custom order on request)

- Trailing and leading edge
- Universal
- DALI

Installation Options

- Pendant or surface mount

| | | |
|----------------------|--------------------|----------------------|
| CERTIFICATION | IP RATING | DIMMABLE |
| | | |
| COLOUR CHANGE | IK RATING | BOX CTN QTY |
| | 0.25kg @ 405mm | 1 6 |



| Part No. | Voltage | Watt | PF | CCT | Ra | Lumens | Beam Angle | Lifetime hrs | Fitting Colour | Dimensions (L x W x H)mm |
|----------------|---------|------|-----|-------------------|----|----------------|------------|--------------|----------------|--------------------------|
| TSDBBSA36WTRI* | 240V | 36W | 0.9 | 3000K-4000K-5700K | 80 | 3700-4000-3800 | 120° | 50,000 | White/Black | 1204 x 56 x 75 |
| TSDBBSA42WTRI* | 240V | 42W | 0.9 | 3000K-4000K-5700K | 80 | 4400-4800-4600 | 120° | 50,000 | White/Black | 1504 x 56 x 75 |
| TSDBBSA50WTRI* | 240V | 50W | 0.9 | 3000K-4000K-5700K | 80 | 4900-5250-5050 | 120° | 50,000 | White/Black | 1204 x 56 x 75 |
| TSDBBSA60WTRI* | 240V | 60W | 0.9 | 3000K-4000K-5700K | 80 | 6200-6500-6300 | 120° | 50,000 | White/Black | 1504 x 56 x 75 |
| TSDBBSB36WTRI* | 240V | 36W | 0.9 | 3000K-4000K-5700K | 80 | 3700-4000-3850 | 120° | 50,000 | White/Black | 1204 x 56 x 75 |
| TSDBBSB42WTRI* | 240V | 42W | 0.9 | 3000K-4000K-5700K | 80 | 4400-4800-4550 | 120° | 50,000 | White/Black | 1504 x 56 x 75 |
| TSDBBSB50WTRI* | 240V | 50W | 0.9 | 3000K-4000K-5700K | 80 | 4900-5250-5050 | 120° | 50,000 | White/Black | 1204 x 56 x 75 |
| TSDBBSB60WTRI* | 240V | 60W | 0.9 | 3000K-4000K-5700K | 80 | 6200-6500-6300 | 120° | 50,000 | White/Black | 1504 x 56 x 75 |

* Colour ordering: Black add BK - White add WH after part number

**LED Indoor
Battens with
Plug-in Sensor
For Ceilings & Walls**



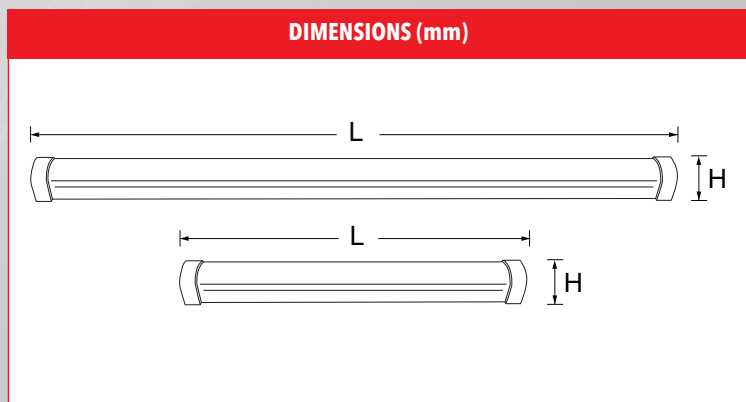
Features

- Powder coated aluminium body with polycarbonate diffuser
- 20W/40W switchable wattage (1210mm only)
- Slide switch function for colour temp change
- High efficiency SMD chips
- Large terminal block and cable entry
- Operating temp: -10°C to +40°C
- IP20 rated

Installation Options (Plug in Microwave sensor)

- 5.8Ghz
- Operating voltage 5-12VDC
- 2sec-10min adjustable
- 15m detection range
- Standby light output adjustable from 0 - 50%
- 360 degree detection angle

| | | |
|----------------------|----------------------|-----------------|
| CERTIFICATION | IP RATING | DIMMABLE |
| | | |
| COLOUR CHANGE | BOX CTN QTY | |
| | 1 6 | |



| Part No. | Voltage | Watt | PF | CCT | Ra | Lumens | Beam Angle | Lifetime hrs | Fitting Colour | Dimensions (L x W x H)mm |
|------------|---------|--------|------|-------------------|----|----------------|------------|--------------|----------------|--------------------------|
| TSAL8B1802 | 240V | 20/40W | >0.9 | 3000K-4000K-5700K | 80 | 1800-4000-3800 | 120° | 50,000 | White | 1210 x 75 x 65 |
| TSAL8B1803 | 240V | 20W | >0.9 | 3000K-4000K-5700K | 80 | 1800-2000-1900 | 120° | 50,000 | White | 650 x 75 x 65 |

| Part No. | Description | Colour | Dimensions |
|-----------|--------------------------|--------|----------------|
| TSAL8MS01 | Microwave Sensor Plug-in | White | 34 x 75 x 37mm |

**Indoor Battens
Emergency with
Plug-in Sensor**

For Ceilings & Walls



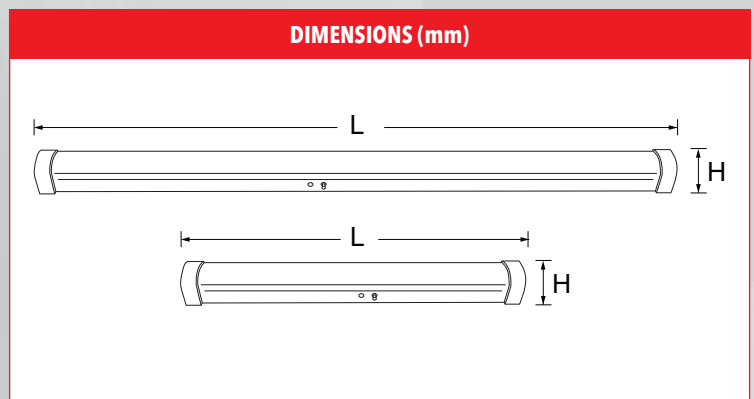
Features

- Powder coated aluminium body with polycarbonate diffuser
- 20W/40W switchable wattage (1210mm only)
- Slide switch function for colour temp change
- Energy efficient LED, low 3.5W standby power
- Lithium-Ion battery
- 3 hrs emergency battery runtime
- Manual test switch
- Large terminal block and cable entry
- Operating temp: -10°C to +40°C
- IP20 rated

Installation Options (Plug in Microwave sensor)

- 5.8Ghz
- Operating voltage 5-12VDC
- 2sec-10min adjustable
- 15m detection range
- Standby light output adjustable from 0 - 50%
- 360 degree detection angle

| | | |
|----------------------|----------------------|-----------------|
| CERTIFICATION | IP RATING | DIMMABLE |
| | | |
| COLOUR CHANGE | BOX CTN QTY | |
| | 1 6 | |



| Part No. | Voltage | Watt | PF | CCT | Ra | Lumens | Beam Angle | Lifetime hrs | Fitting Colour | Dimensions (L x W x H)mm |
|--------------|---------|--------|------|-------------------|----|----------------|------------|--------------|----------------|--------------------------|
| TSAL8B1802-E | 240V | 20/40W | >0.9 | 3000K-4000K-5700K | 80 | 1800-4000-3800 | 120 | 50,000 | White | 1210 x 75 x 65 |
| TSAL8B1803-E | 240V | 20W | >0.9 | 3000K-4000K-5700K | 80 | 1800-2000-1900 | 120 | 50,000 | White | 650 x 75 x 65 |

| Part No. | Description | Colour | Dimensions |
|-----------|--------------------------|--------|----------------|
| TSAL8MS01 | Microwave Sensor Plug-in | White | 34 x 75 x 37mm |

**Weatherproof
SMD Batten
For Ceilings & Walls**



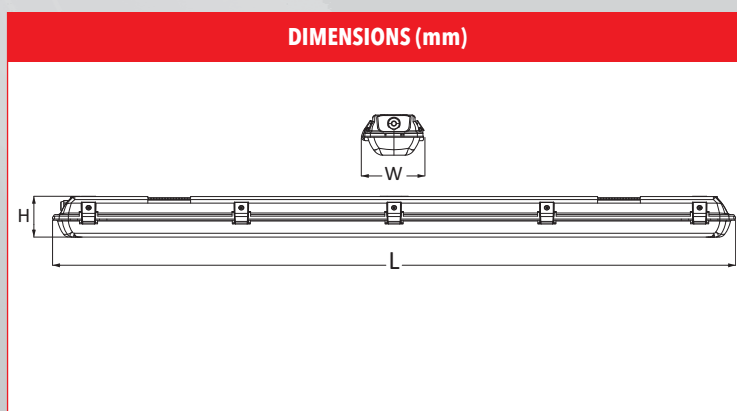
Features

- Impact resistant polycarbonate body and diffuser
- Slide switch function for colour temperature change
- High efficiency SMD chips
- Constant current driver
- Large terminals for easy installation
- Stainless steel clips
- Operating temp: -20°C to +45°C
- IP65 weatherproof & IK08 impact resistant

Installation Options

- Surface mounted
- Suspended (suspension kit is required)

| | | |
|----------------------|------------------|----------------------|
| CERTIFICATION | IP RATING | DIMMABLE |
| | | |
| COLOUR CHANGE | IK RATING | BOX CTN QTY |
| | | 1 8 |



| Part No. | Voltage | Watt | PF | CCT | Ra | Lumens | Beam Angle | Lifetime hrs | Fitting Colour | Dimensions (L x W x H)mm |
|---------------|----------|------|-----|-------------------|----|----------------|------------|--------------|----------------|--------------------------|
| TSWPB20WTRI | 100-265V | 20W | 0.9 | 3000K-4000K-5700K | 80 | 1700-2000-1960 | 120° | 50,000 | Grey | 618 x 116 x 74 |
| TSWPB40WTRI | 100-265V | 40W | 0.9 | 3000K-4000K-5700K | 80 | 3400-4000-3900 | 120° | 50,000 | Grey | 1215 x 116 x 75 |
| TSWPB40WTRIEM | 100-265V | 40W | 0.9 | 3000K-4000K-5700K | 80 | 3400-4000-3900 | 120° | 50,000 | Grey | 1215 x 116 x 75 |

| Part No. | Certification Model No. | VEET Status | IPART Status |
|---------------|-------------------------|-------------|--------------|
| TSWPB20WTRI | TSWPB20WTRI | Pending | Pending |
| TSWPB40WTRI | TSWPB40WTRI | Pending | Pending |
| TSWPB40WTRIEM | TSWPB40WTRIEM | Pending | Pending |



Weatherproof SMD Batten with Plug-in Sensor
For Ceilings & Walls



Features

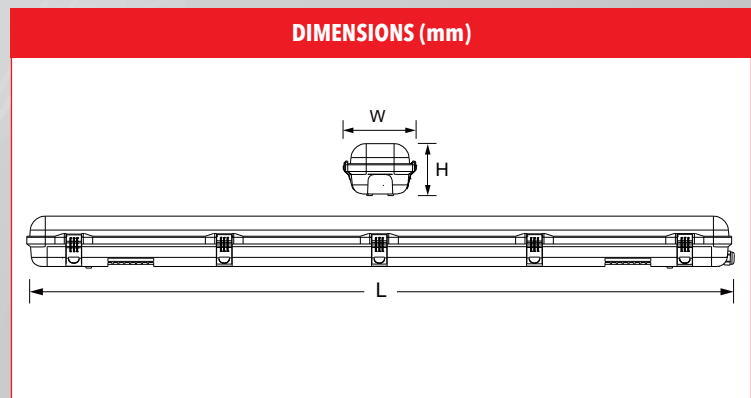
- Impact resistant polycarbonate body & diffuser
- 20W/40W switchable wattage
- Slide switch function for colour temp change
- High efficiency SMD chips
- Large terminal block and cable entry
- Stainless steel clips
- Operating temp: -10°C to +40°C
- IP65 rated & IK08 impact resistant

Installation Options (Plug in Microwave sensor)

- 5.8Ghz
- Operating voltage 5-12VDC
- 2sec-10min adjustable
- 15m detection range
- Standby light output adjustable from 0 - 50%
- 360 degree detection angle



| | | |
|----------------------|-------------------|----------------------|
| CERTIFICATION | IP RATING | DIMMABLE |
| | | |
| COLOUR CHANGE | IK RATING | BOX CTN QTY |
| | 1.7kg @ 300mm | 1 6 |



| Part No. | Voltage | Watt | PF | CCT | Ra | Lumens | Beam Angle | Lifetime hrs | Fitting Colour | Dimensions (L x W x H)mm |
|-------------|---------|--------|------|-------------------|----|----------------|------------|--------------|----------------|--------------------------|
| TSAL8WB1902 | 240V | 20/40W | >0.9 | 2000K-4000K-6000K | 80 | 1800-4000-3800 | 120 | 50,000 | White | 1270 x 122 x 87 |

| Part No. | Description | Colour | Dimensions |
|-----------|--------------------------|--------|----------------|
| TSAL8MSO1 | Microwave Sensor Plug-in | White | 34 x 75 x 37mm |

**Weatherproof
Emergency SMD
Batten with
Plug-in Sensor**

For Ceilings & Walls



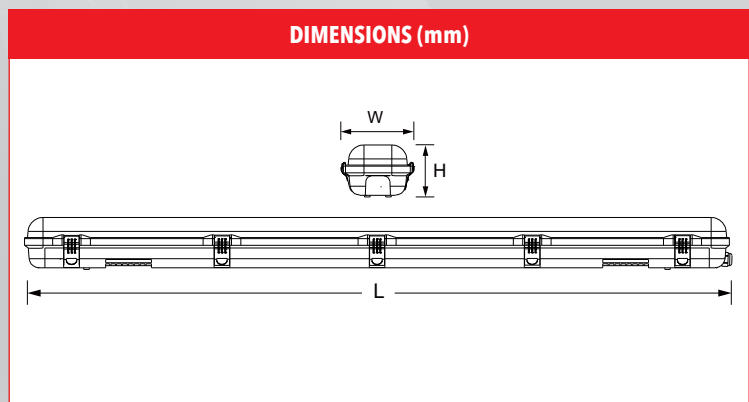
Features

- Impact resistant polycarbonate body & diffuser
- 20W/40W switchable wattage
- Slide switch function for colour temp change
- High efficiency SMD chips
- Large terminal block and cable entry
- Stainless steel clips
- Energy efficient LED, low 3.5W standby power
- Lithium-Ion battery
- 3 hrs emergency battery runtime
- Manual test switch
- Operating temp: -10°C to +40°C
- IP65 rated & IK08 impact resistant

Installation Options (Plug in Microwave sensor)

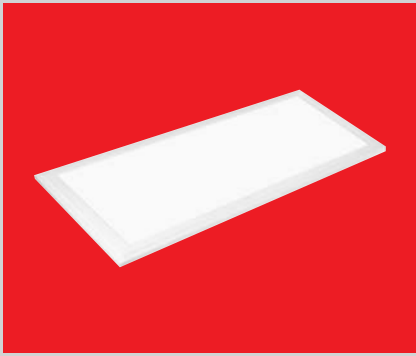
- 5.8Ghz
- Operating voltage 5-12VDC
- 2sec-10min adjustable
- 15m detection range
- Standby light output adjustable from 0 - 50%
- 360 degree detection angle

| | | |
|----------------------|-------------------|----------------------|
| CERTIFICATION | IP RATING | DIMMABLE |
| | | |
| COLOUR CHANGE | IK RATING | BOX CTN QTY |
| | 1.7kg @ 300mm | 116 |

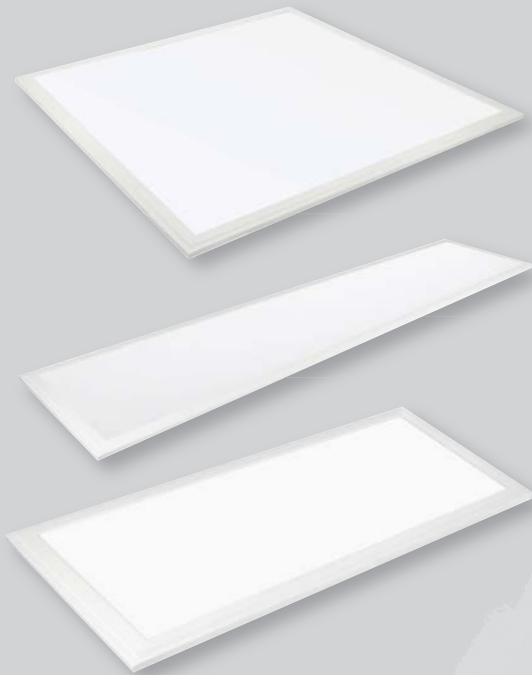


| Part No. | Voltage | Watt | PF | CCT | Ra | Lumens | Beam Angle | Lifetime hrs | Fitting Colour | Dimensions (L x W x H)mm |
|---------------|---------|--------|------|-------------------|----|----------------|------------|--------------|----------------|--------------------------|
| TSAL8WB1902-E | 240V | 20/40W | >0.9 | 3000K-4000K-6000K | 80 | 1800-4000-3800 | 120 | 50,000 | White | 1270 x 122 x 87 |

| Part No. | Description | Colour | Dimensions |
|-----------|--------------------------|--------|----------------|
| TSAL8MS01 | Microwave Sensor Plug-in | White | 34 x 75 x 37mm |



Flat Panels For Ceilings



Features

- Ultra slim polystyrene diffuser
- Extruded aluminium frame
- Slide switch function for colour temperature change
- High efficiency SMD chips
- Constant current driver
- 0.6m flex & plug
- Operating temp: -20°C to +45°C
- IP40 rated

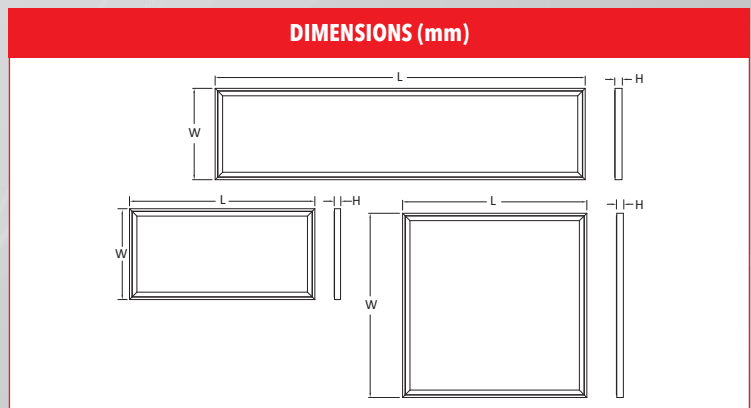
Dimming Options (Driver Part# TSDRFP)

- Trailing and leading edge
- Universal

Installation Options

- Recessed plaster ceiling installation (plaster frame is required)
- Surface mounted installation (surface mounted frame is required)
- Suspended (suspension kit is required)

| CERTIFICATION | IP RATING | DIMMABLE |
|---------------|------------------|---------------|
| | | |
| COLOUR CHANGE | DOUBLE INSULATED | BOX CTN QTY |
| | | 1 5 |



| Part No. | Voltage | Watt | PF | CCT | Ra | Lumens | Beam Angle | Lifetime hrs | Fitting Colour | Dimensions (L x W x H)mm |
|--------------|----------|------|-----|-------------------|----|----------------|------------|--------------|----------------|--------------------------|
| TSFP3060TRI | 200-240V | 25W | 0.9 | 3000K-4000K-5700K | 80 | 1977-2278-2280 | 120° | 40,000 | White | 595 x 295 x 8 |
| TSFP6060TRI | 200-240V | 36W | 0.9 | 3000K-4000K-5700K | 80 | 3072-3627-3707 | 120° | 40,000 | White | 595 x 595 x 8 |
| TSFP30120TRI | 200-240V | 36W | 0.9 | 3000K-4000K-5700K | 80 | 3072-3627-3707 | 120° | 40,000 | White | 1195 x 295 x 8 |

| Part No. | Certification Model No. | VEET Status | IPART Status |
|--------------|-------------------------|-------------|--------------|
| TSFP3060TRI | TSFP3060TRI | Pending | Pending |
| TSFP6060TRI | TSFP6060TRI | Pending | Pending |
| TSFP30120TRI | TSFP30120TRI | Pending | Pending |

Backlit LED Flat Panels



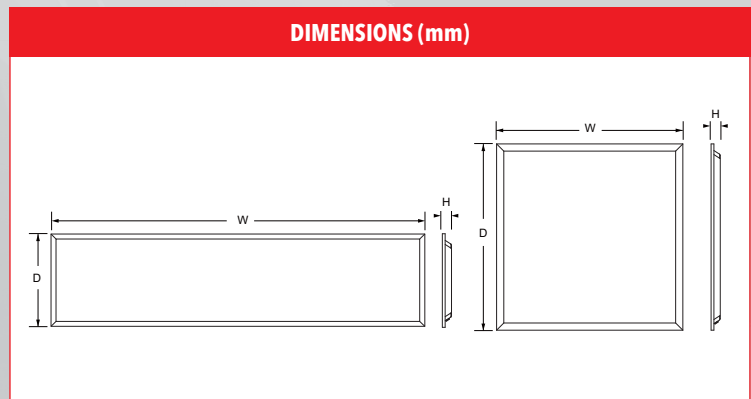
Features

- Uniform light effect with optic lens
- Integrated sheet metal design provides excellent thermal management
- Slide switch function for colour temperature change
- Constant current driver
- 0.6m flex & plug
- Operating temp: -20°C to +45°C
- IP20 rated

Installation Options

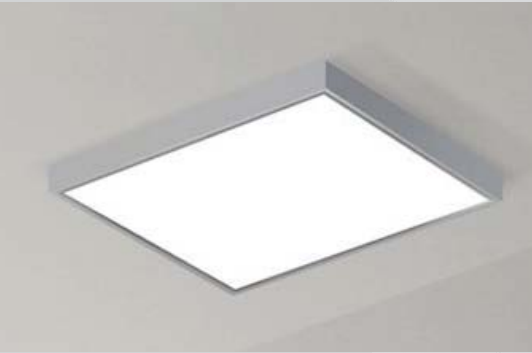
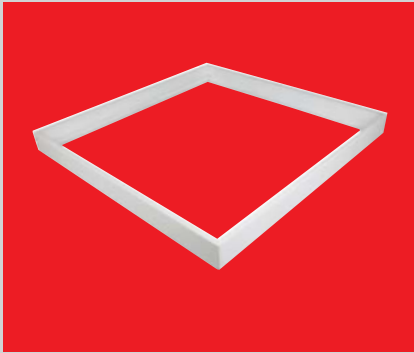
- Pendant & recessed
- Installation

| | | |
|----------------------|----------------------|-----------------|
| CERTIFICATION | IP RATING | DIMMABLE |
| | | |
| COLOUR CHANGE | BOX CTN QTY | |
| | 115 | |



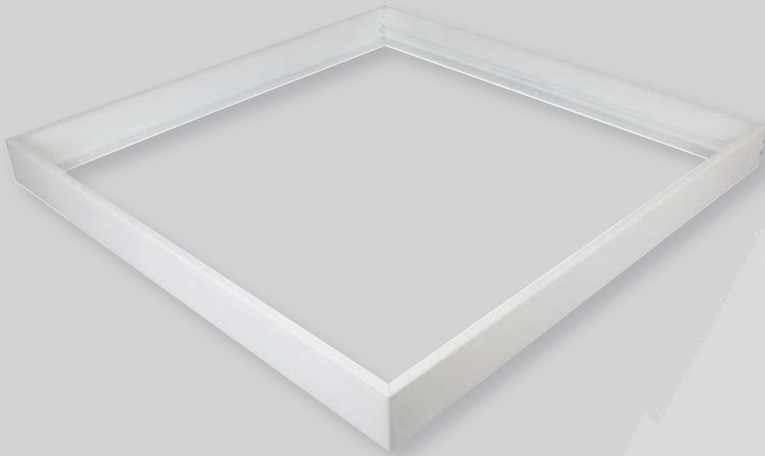
| Part No. | Voltage | Watt | PF | CCT | Ra | Lumens | Beam Angle | Lifetime hrs | Fitting Colour | Dimensions (L x W x H)mm |
|---------------|----------|------|-----|-------------------|----|-----------|------------|--------------|----------------|--------------------------|
| TSPBL6060TRI | 200-240V | 36W | 0.9 | 3000K-4000K-5700K | 80 | 3240-3600 | 120° | 40,000 | White | 595 x 595 x 30 |
| TSPBL30120TRI | 200-240V | 36W | 0.9 | 3000K-4000K-5700K | 80 | 3240-3600 | 120° | 40,000 | White | 295 x 1195 x 30 |

| Part No. | Certification Model No. | VEET Status | IPART Status |
|---------------|-------------------------|-------------|--------------|
| TSPBL6060TRI | TSPBL6060TRI | Pending | Pending |
| TSPBL30120TRI | TSPBL30120TRI | Pending | Pending |



Surface Mount Frame

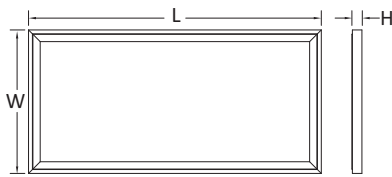
For use with LED flat panels



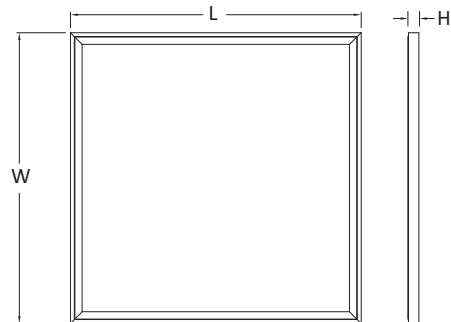
Features

- Designed for use with Tradesave LED flat panels
- Designed to house both LED panel and driver

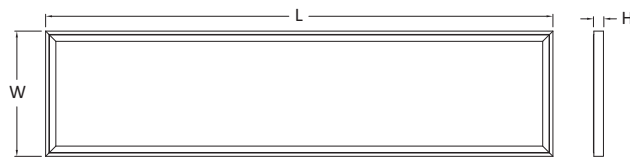
TSFP3060SMF



TSFP6060SMF



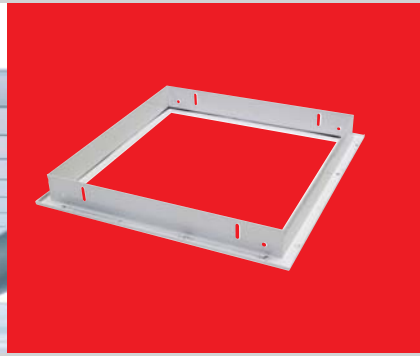
TSFP30120SMF



| Part No. | Dimensions | | |
|--------------|-------------|------------|-------------|
| | Length (mm) | Width (mm) | Height (mm) |
| TSFP3060SMF | 612mm | 312mm | 60mm |
| TSFP6060SMF | 601mm | 601mm | 55mm |
| TSFP30120SMF | 1201mm | 301mm | 55mm |

Recessed Plaster Frame

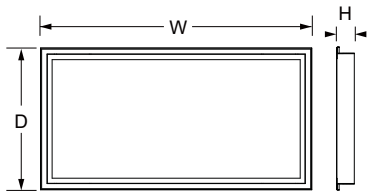
For use with
LED flat panels



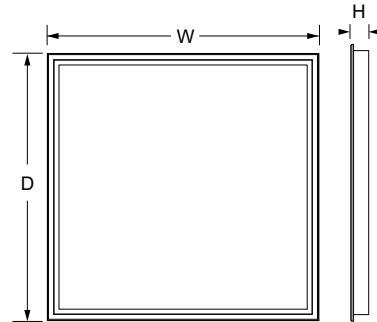
Features

- Designed for use with Tradesave LED flat panels
- Frames can be installed in plaster ceilings

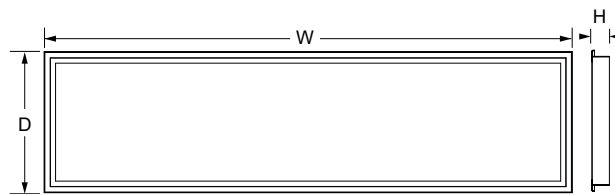
TSFP3060RPF



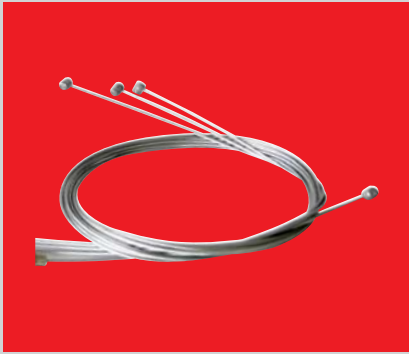
TSFP6060RPF



TSFP30120RPF



| Part No. | Dimensions | | | Cut Out (L x W)mm |
|--------------|-------------|------------|-------------|----------------------|
| | Length (mm) | Width (mm) | Height (mm) | |
| TSFP3060RPF | 630mm | 330mm | 41mm | 610 x 310 |
| TSFP6060RPF | 630mm | 630mm | 41mm | 610 x 610 |
| TSFP30120RPF | 1230mm | 330mm | 41mm | 1210 x 310 |



Suspension Kit

Features

- 1m wire steel
- Suspension height can be adjusted
- Copper & nickel plated kits



| Part No. | Suspension Kits | Length (m) | Note |
|----------|--|------------|---|
| TSPSC | LED Flat Panel Suspension Cable 4 Piece 1m Cable & Fixings | 1m | For use with LED flat panels 295 & 595mm wide |

LED Tubes
Energy Efficient
Alternative to
Fluorescent Tubes



Features

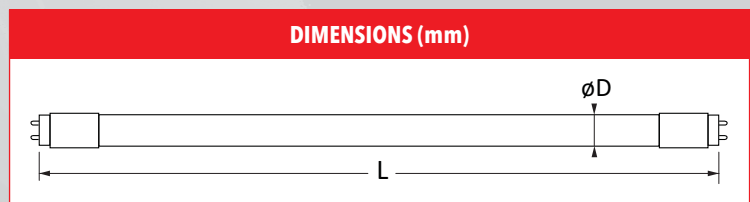
- Aluminium housing
- Opal polycarbonate diffuser
- High efficiency SMD chips
- Fully integrated driver
- G13 cap
- Single end power input
- Operating temperature: -20° to +45°C

Includes

- LED tube
- Safety fuse

| CERTIFICATION | IP RATING | DIMMABLE |
|---|---|---|
|  |  |  |

| BOX CTN QTY |
|---------------|
| 1 20 |



| Part No. | Voltage | Watt | PF | CCT | Ra | Lumens | Beam Angle | Lifetime hrs | Fitting Colour | Dimensions (øD x L)mm |
|----------|----------|------|-----|-------|----|--------|------------|--------------|-----------------|-----------------------|
| TST10W4K | 100-265V | 10W | 0.9 | 4000K | 80 | 1070 | 120° | 40,000 | Aluminium/White | 26 x 602 |
| TST10W6K | 100-265V | 10W | 0.9 | 6000K | 80 | 1060 | 120° | 40,000 | Aluminium/White | 26 x 602 |
| TST18W4K | 100-265V | 18W | 0.9 | 4000K | 80 | 1934 | 120° | 40,000 | Aluminium/White | 26 x 1212 |
| TST18W6K | 100-265V | 18W | 0.9 | 6000K | 80 | 1924 | 120° | 40,000 | Aluminium/White | 26 x 1212 |
| TST25W4K | 100-265V | 25W | 0.9 | 4000K | 80 | 2497 | 120° | 40,000 | Aluminium/White | 26 x 1513 |
| TST25W6K | 100-265V | 25W | 0.9 | 6000K | 80 | 2455 | 120° | 40,000 | Aluminium/White | 26 x 1513 |

| Part No. | Certification Model No. | VEET Status | IPART Status |
|----------|-------------------------|-------------|--------------|
| TST10W4K | TST10W4K | Pending | N/A |
| TST10W6K | TST10W6K | Pending | N/A |
| TST18W4K | TST18W4K | Pending | N/A |
| TST18W6K | TST18W6K | Pending | N/A |
| TST25W4K | TST25W4K | Pending | N/A |
| TST25W6K | TST25W6K | Pending | N/A |



LED Highbays



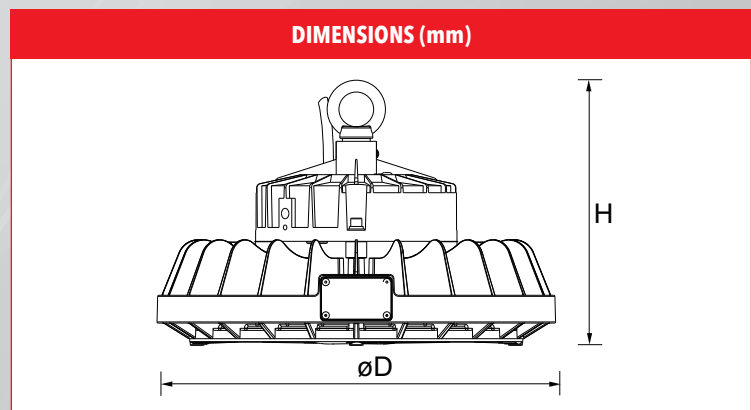
Features

- Aluminium housing powder coated black
- Tempered glass lens
- Low profile design
- Surge protected 4kV Line-Line
- High efficiency SMD chip 130Lm/w
- 1.5m flex & plug 3 pin
- Operating Temp: -30°C to +50°C
- IP65 rated

Dimming Options (custom order on request)

- Trailing and leading edge
- Universal
- DALI

| CERTIFICATION | IP RATING | DIMMABLE |
|---------------|---------------|----------|
| | | |
| PROTECTION | BOX CTN QTY | |
| | 1 2 | |



| Part No. | Voltage | Watt | PF | CCT | Ra | Lumens | Beam Angle | Lifetime hrs | Fitting Colour | Dimensions (øD x H)mm |
|------------|----------|------|-----|-------|----|--------|------------|--------------|----------------|-----------------------|
| TSHB150W5K | 200-240V | 150W | 0.9 | 5000K | 70 | 19,500 | 120° | 50,000 | Black | 287 x 176 |
| TSHB200W5K | 200-240V | 200W | 0.9 | 5000K | 70 | 26,000 | 120° | 50,000 | Black | 287 x 191 |

| Part No. | Certification Model No. | VEET Status | IPART Status |
|------------|-------------------------|-------------|--------------|
| TSHB150W5K | TST10W4K | Pending | Approved |
| TSHB200W5K | TST10W6K | Pending | Approved |

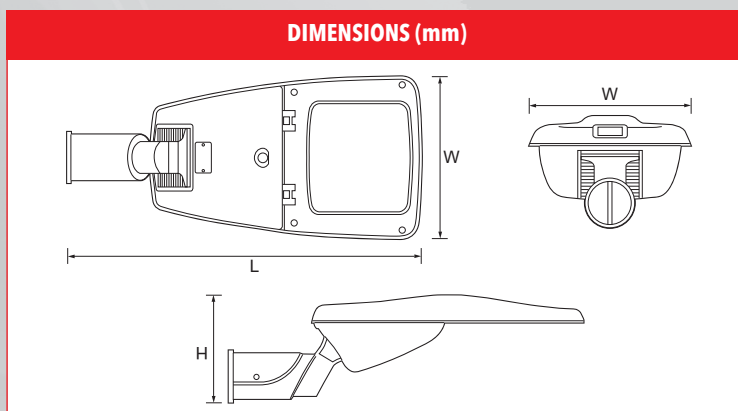
LED Street Light



Features

- Aluminium housing powder coated black
- Tempered glass & polycarbonate optical lens
- Smooth body does not accumulate dust, sand or other solid material
- Pole mount with 60mm ø spigot
- Surge protection 6kV Line-Line, 12kV Line-Earth
- High efficiency SMD chips - 130Lm/w
- Operating temp: -30°C to +50°C
- IP66 rated

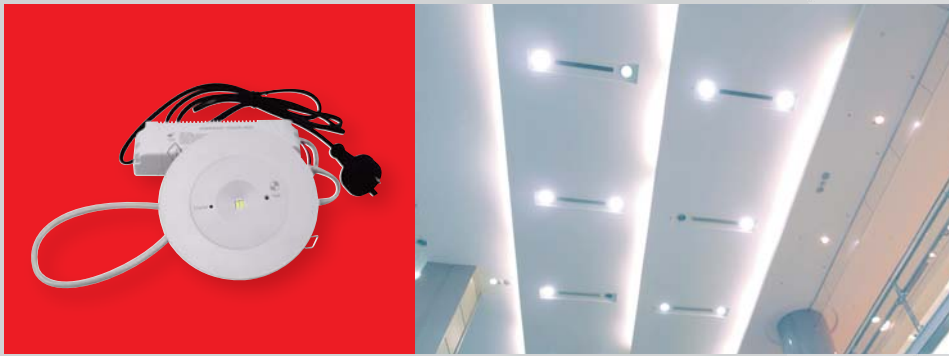
| | | |
|----------------------|----------------------|-----------------|
| CERTIFICATION | IP RATING | DIMMABLE |
| | | |
| IK RATING | BOX CTN QTY | |
| | 1 1 | |



| Part No. | Voltage | Watt | PF | CCT | Ra | Lumens | Beam Angle | Lifetime hrs | Fitting Colour | Dimensions (L x W x H)mm |
|----------|----------|------|-----|-------|----|--------|------------|--------------|----------------|--------------------------|
| TSSL50WB | 100-277V | 50W | 0.9 | 4000K | 70 | 6500 | 100° | 100,000 | Black | 649 x 272 x 179 |

| Part No. | Certification Model No. | VEET Status | IPART Status |
|----------|-------------------------|-------------|--------------|
| TSSL50WB | ST10-050 | N/A | N/A |

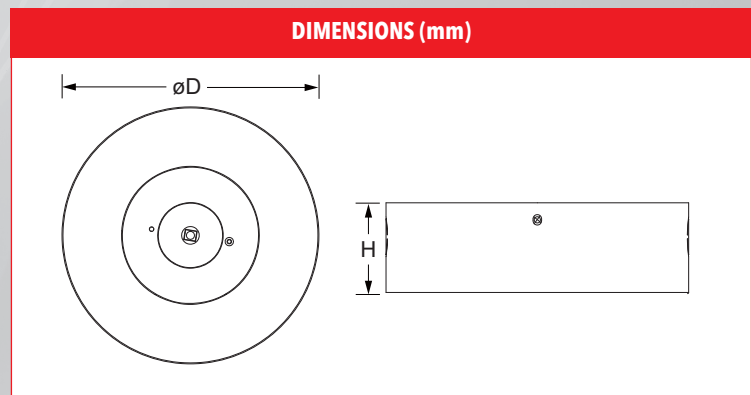
**LED Recessed
Emergency
Downlight**
UFOFIRE



Features

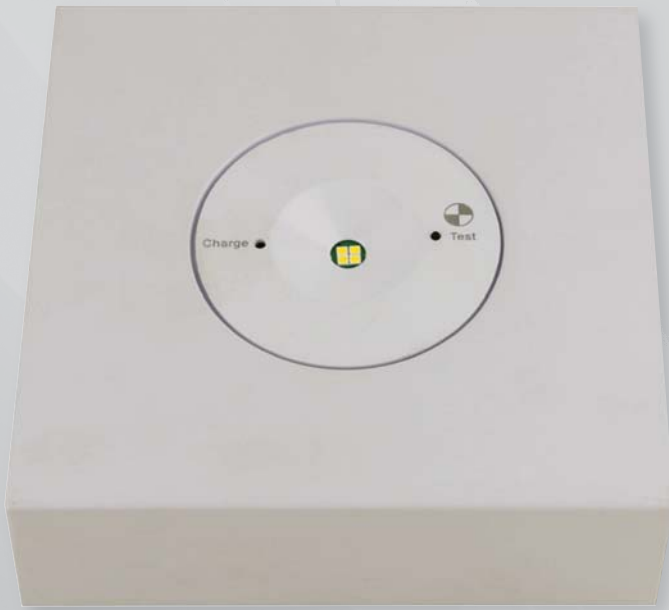
- Non maintained
- Energy efficient LED, low 0.5W standby power consumption
- Superior light output, D40 spacing classification to cover most applications
- Tamper resistant, no dome required
- Lithium Ion battery
- 3 hour emergency battery run-time
- Self testing technology
- Operating temp: -10°C to +40°C
- Plug & play connections for ease of installation
- Complies with AS/NZ2293
- IP20 rated

| CERTIFICATION | IP RATING | DIMMABLE |
|---------------|---------------|----------|
| | | |
| L-ION BATTERY | BOX CTN QTY | |
| | 1 20 | |



| Part No. | Voltage | Watt | PF | CCT | Ra | Lumens | Beam Angle | Lifetime hrs | Fitting Colour | Dimensions (øD x H)mm |
|-------------|---------|------|------|-------|-----|--------|------------|--------------|----------------|-----------------------|
| TSAL8UF6030 | 240V | 3W | >0.9 | 6000K | >80 | 260lm | 140 | 30,000 | White | 160 x 49 |

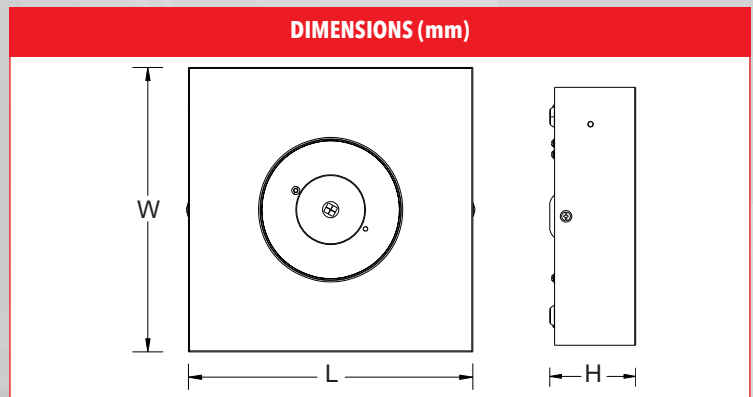
**LED Surface
Mount Emergency
Downlight
UFOFIRE**



Features

- Non-Maintained
- Energy efficient LED, low 0.5W standby power consumption
- Superior light output, D40 spacing classification to cover most applications
- Tamper resistant, no dome required
- Lithium Ion battery
- 3 hour emergency battery run-time
- Self testing technology
- Large terminal block & cable entry
- Operating temp: -10°C to +40°C
- Complies with AS/NZ2293
- IP20 rated

| | | |
|----------------------|----------------------|-----------------|
| CERTIFICATION | IP RATING | DIMMABLE |
| | | |
| L-ION BATTERY | BOX CTN QTY | |
| | 1 20 | |



| Part No. | Voltage | Watt | PF | CCT | Ra | Lumens | Beam Angle | Lifetime hrs | Fitting Colour | Dimensions (L x W x H)mm |
|---------------|---------|------|------|-------|-----|--------|------------|--------------|----------------|--------------------------|
| TSAL8UF6030-S | 240V | 3W | >0.9 | 6000K | >80 | 260lm | 140 | 30,000 | White | 175 x 175 x 58 |

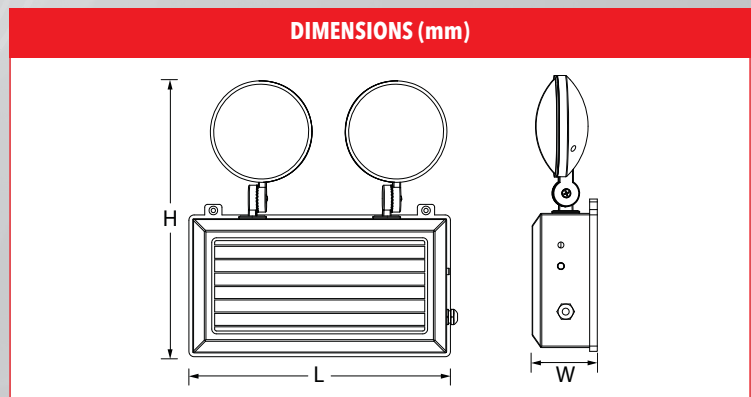
**LED Twin Spot
Weatherproof
Emergency
Moon**



Features

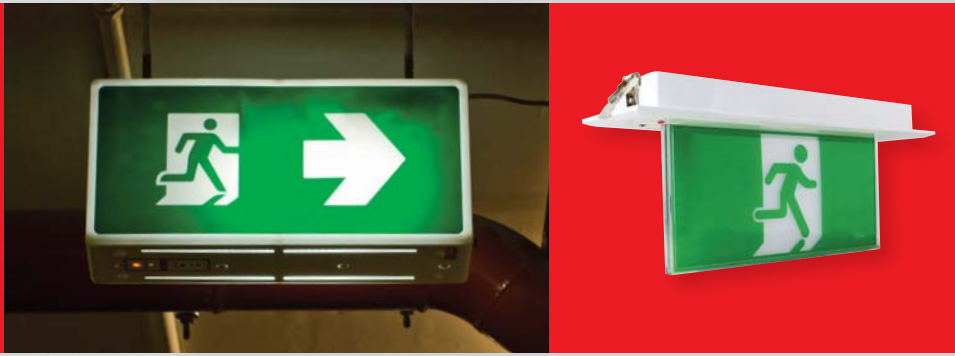
- Polycarbonate body
- Wall mount
- Energy efficient LED, low 1W standby power consumption
- Lithium Ion battery
- 3hrs emergency battery run-time
- Manual test switch
- Operating temp: -10°C to +40°C
- IP65 rated
- Complies with AS/NZ2293

| | | |
|----------------------|----------------------|-----------------|
| CERTIFICATION | IP RATING | DIMMABLE |
| | | |
| L-ION BATTERY | BOX CTN QTY | |
| | 1 20 | |



| Part No. | Voltage | Watt | PF | CCT | Ra | Lumens | Beam Angle | Lifetime hrs | Fitting Colour | Dimensions (L x W x H)mm |
|-------------|---------|--------|-----|-------|----|--------|------------|--------------|----------------|--------------------------|
| TSAL8MO1704 | 240V | 2 x 3W | 0.9 | 6000K | 80 | N/A | N/A | N/A | N/A | 273 x 68 x 290 |

**LED Recessed
Blade Exit Light**
Jade



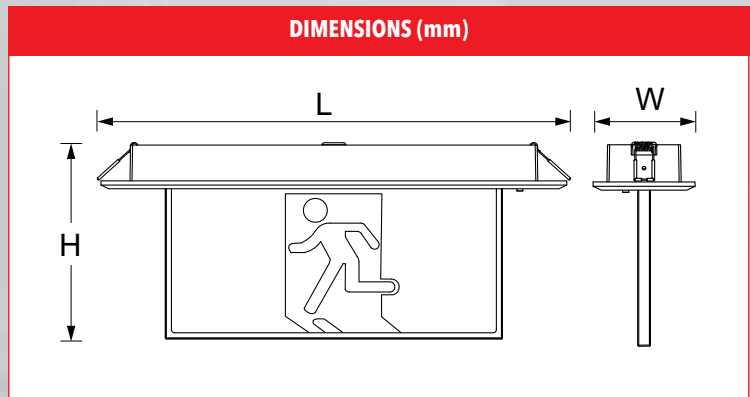
Features

- Polycarbonate body and diffuser
- Ceiling mount
- Energy efficient LED, low 3W standby power consumption
- Superior light output, 24m viewing distance
- Lithium Ion battery
- 3hrs emergency battery run-time
- Manual test switch
- Large terminal block and cable entry
- Operating temp: -10°C to +40°C
- IP20 rated
- Complies with AS/NZ2293

Includes the following decals

- Standard running man
- Running man with left arrow
- Running man with right arrow

| | | |
|----------------------|----------------------|-----------------|
| CERTIFICATION | IP RATING | DIMMABLE |
| | | |
| L-ION BATTERY | BOX CTN QTY | |
| | 1 10 | |



| Part No. | Voltage | Watt | PF | CCT | Ra | Lumens | Beam Angle | Lifetime hrs | Fitting Colour | Dimensions (L x W x H)mm |
|-------------|---------|------|------|-------|-----|--------|------------|--------------|----------------|--------------------------|
| TSAL8JA1703 | 240V | 3W | >0.9 | 6000K | >80 | N/A | N/A | 50,000 | N/A | 475 x 100 x 180 |



**LED
Surface Mount
Blade Exit Light
Emerald**



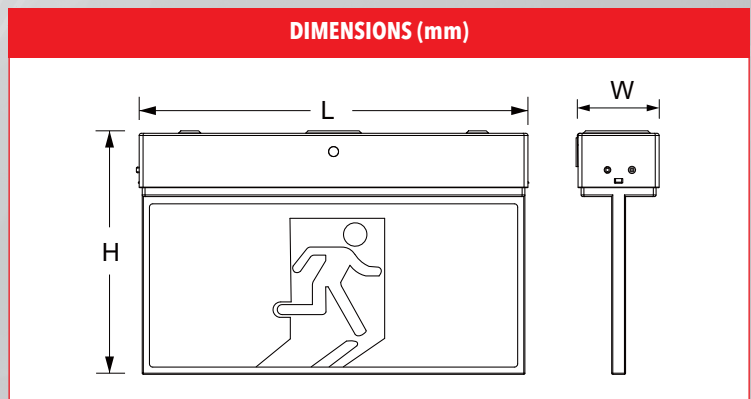
Features

- Polycarbonate body and diffuser
- Wall and ceiling mount
- Energy efficient LED, low 3W standby power consumption
- Superior light output, 24m viewing distance
- Lithium Ion battery
- 3hrs emergency battery run-time
- Manual test switch
- Large terminal block and cable entry
- Operating temp: -10°C to +40°C
- IP20 rated
- Complies with AS/NZ2293

Includes the following decals

- Standard running man
- Running man with left arrow
- Running man with right arrow

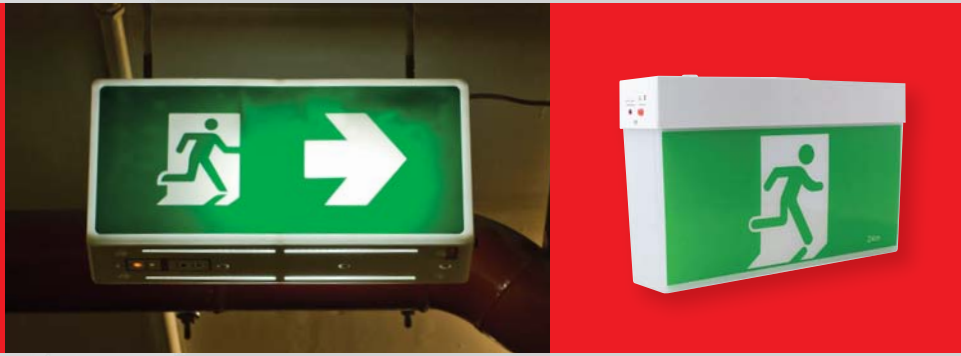
| | | |
|----------------------|----------------------|-----------------|
| CERTIFICATION | IP RATING | DIMMABLE |
| | | |
| L-ION BATTERY | BOX CTN QTY | |
| | 1 10 | |



| Part No. | Voltage | Watt | PF | CCT | Ra | Lumens | Beam Angle | Lifetime hrs | Fitting Colour | Dimensions (L x W x H)mm |
|-------------|---------|------|------|-------|-----|--------|------------|--------------|----------------|--------------------------|
| TSAL8EM1611 | 240V | 3W | >0.9 | 6000K | >80 | N/A | N/A | 50,000 | N/A | 350 x 73 x 220 |

LED Universal
Surface Mount
Exit Light

Onyx



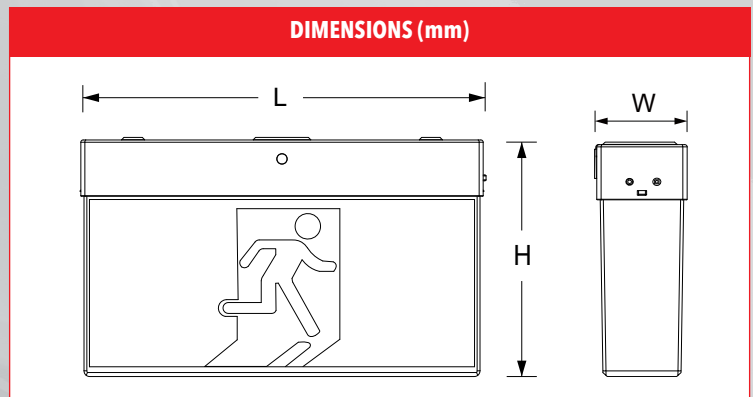
Features

- Polycarbonate body and diffuser
- Wall and ceiling mount
- Energy efficient LED, low 3W standby power consumption
- Superior light output, 24m viewing distance
- Lithium Ion battery
- 3hrs emergency battery run-time
- Manual test switch
- Large terminal block and cable entry
- Operating temp: -10°C to +40°C
- IP20 rated
- Complies with AS/NZ2293

Includes the following decals

- Standard running man
- Running man with left arrow
- Running man with right arrow

| | | |
|----------------------|----------------------|-----------------|
| CERTIFICATION | IP RATING | DIMMABLE |
| | | |
| L-ION BATTERY | BOX CTN QTY | |
| | 1 10 | |



| Part No. | Voltage | Watt | PF | CCT | Ra | Lumens | Beam Angle | Lifetime hrs | Fitting Colour | Dimensions (L x W x H)mm |
|-------------|---------|------|------|-------|-----|--------|------------|--------------|----------------|--------------------------|
| TSAL80N1610 | 240V | 3W | >0.9 | 6000K | >80 | N/A | N/A | 30,000 | N/A | 350 x 73 x 208 |

**LED Universal
Wall Mount
Exit Light
Ruby**



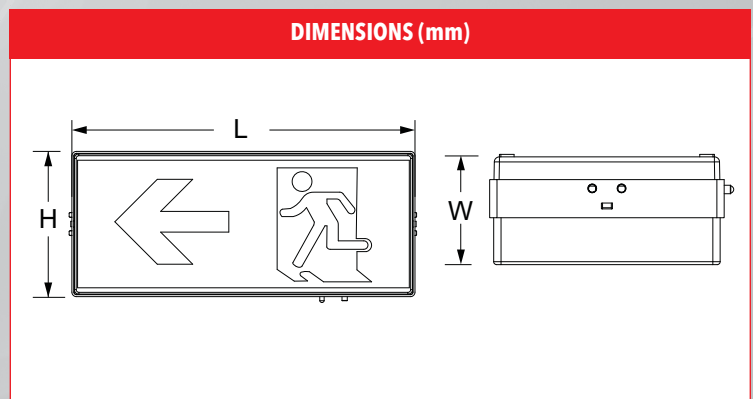
Features

- Polycarbonate body and diffuser
- Wall mount
- Energy efficient LED, low 3W standby power consumption
- Superior light output, 24m viewing distance
- Lithium Ion battery
- 3hrs emergency battery run-time
- Manual test switch
- Large terminal block and cable entry
- Operating temp: -10°C to +40°C
- IP20 rated
- Complies with AS/NZ2293

Includes the following decals

- Standard running man
- Running man with left arrow
- Running man with right arrow

| | | |
|----------------------|----------------------|-----------------|
| CERTIFICATION | IP RATING | DIMMABLE |
| | | |
| L-ION BATTERY | BOX CTN QTY | |
| | 1 20 | |



| Part No. | Voltage | Watt | PF | CCT | Ra | Lumens | Beam Angle | Lifetime hrs | Fitting Colour | Dimensions (L x W x H)mm |
|-------------|---------|------|-----|-------|----|--------|------------|--------------|----------------|--------------------------|
| TSAL8RU1612 | 240V | 3W | 0.9 | 6000K | 80 | N/A | N/A | 50,000 | N/A | 378 x 74 x 160 |

LED Universal Surface Mount Exit Light

Topaz



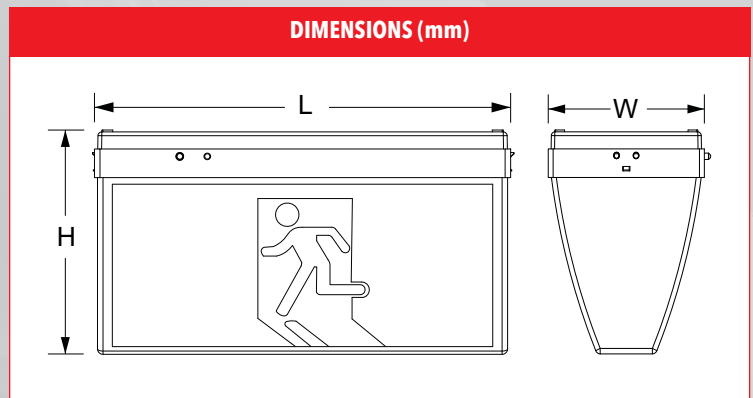
Features

- Polycarbonate body and diffuser
- Wall and ceiling mount
- Energy efficient LED, low 3W standby power consumption
- Superior light output, 24m viewing distance
- Lithium Ion battery
- 3hrs emergency battery run-time
- Manual test switch
- Large terminal block and cable entry
- Operating temp: -10°C to +40°C
- IP20 rated
- Complies with AS/NZ2293

Includes the following decals

- Standard running man
- Running man with left arrow
- Running man with right arrow

| | | |
|----------------------|----------------------|-----------------|
| CERTIFICATION | IP RATING | DIMMABLE |
| | | |
| L-ION BATTERY | BOX CTN QTY | |
| | 1 20 | |



| Part No. | Voltage | Watt | PF | CCT | Ra | Lumens | Beam Angle | Lifetime hrs | Fitting Colour | Dimensions (L x W x H)mm |
|-------------|---------|------|------|-------|-----|--------|------------|--------------|----------------|--------------------------|
| TSAL8T01609 | 240V | 3W | >0.9 | 6000K | 780 | N/A | N/A | 50,000 | N/A | 378 x 160 x 202 |



LED Surface Mount Exit Light Jumbo



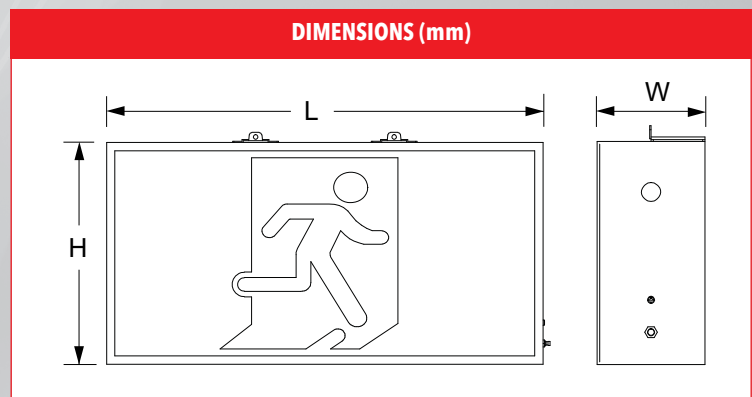
Features

- Powder coated metal body with polycarbonate body diffuser
- Wall and ceiling mount
- Energy efficient LED, low 5.3W standby power consumption
- Superior light output, 40m viewing distance
- Lithium Ion battery
- 3hrs emergency battery run-time
- Manual test switch
- Large terminal block and cable entry
- Operating temp: -10°C to +40°C
- IP20 rated
- Complies with AS/NZ2293

Includes the following decals

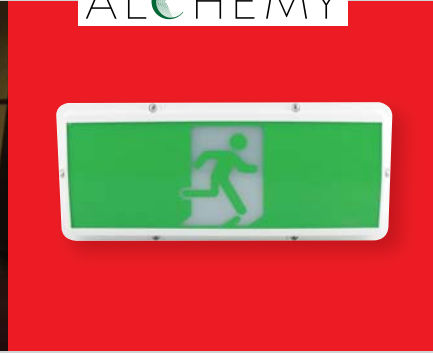
- Running man with left arrow 2 pieces
- Running man with right arrow 2 pieces
- Running man face left 2 pieces
- Running man face right 2 pieces

| | | |
|----------------------|----------------------|-----------------|
| CERTIFICATION | IP RATING | DIMMABLE |
| | | |
| L-ION BATTERY | BOX CTN QTY | |
| | 1 5 | |



| Part No. | Voltage | Watt | PF | CCT | Ra | Lumens | Beam Angle | Lifetime hrs | Fitting Colour | Dimensions (L x W x H)mm |
|--------------|---------|------|------|-------|-----|--------|------------|--------------|----------------|--------------------------|
| TSAL&JUM1801 | 240V | 5.3W | >0.9 | 6000K | >80 | N/A | N/A | 50,000 | N/A | 630 x 100 x 320 |

**LED
Weatherproof
Exit Light
Stone**



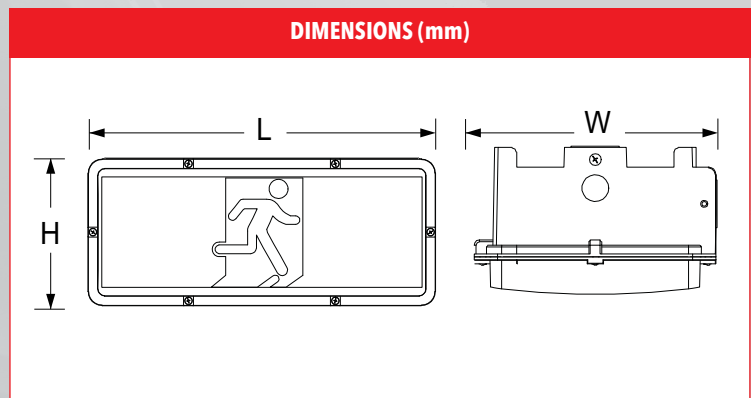
Features

- Polycarbonate body and diffuser
- Wall mount
- Energy efficient LED, low 3W standby power consumption
- Superior light output, 24m viewing distance
- Lithium Ion battery
- 3hrs emergency battery run-time
- Manual test switch
- Large terminal block and cable entry
- Operating temp: -10°C to +40°C
- IP65 rated
- Complies with AS/NZ2293

Includes the following decals

- Standard running man
- Running man with left arrow
- Running man with right arrow

| | | |
|----------------------|----------------------|-----------------|
| CERTIFICATION | IP RATING | DIMMABLE |
| | | |
| L-ION BATTERY | BOX CTN QTY | |
| | 1 20 | |



| Part No. | Voltage | Watt | PF | CCT | Ra | Lumens | Beam Angle | Lifetime hrs | Fitting Colour | Dimensions (L x W x H)mm |
|-------------|---------|------|------|-------|----|--------|------------|--------------|----------------|--------------------------|
| TSAL8ST1711 | 240V | 3W | >0.9 | 6000K | 80 | N/A | N/A | 50,000 | N/A | 381 x 98 x 162 |

This warranty is provided by Repelec (Aust) (ACN 003 762 641).

- Tradesave products are guaranteed for a period of 5 (five) years, and the Alchemy products are guaranteed for a period of 3 (three) years, from date of purchase provided the product has been installed correctly and in accordance with local electrical wiring regulations and codes of practice. This guarantee shall become invalid if this product has been incorrectly installed, misused, tampered with or accidentally damaged.
- If the goods are defective, we undertake to repair or replace the goods or any part of them that is defective; or wholly or partly recompense you if they are defective.
- Our goods come with guarantees that cannot be excluded under the Australian Consumer Law. You are entitled to a replacement or refund for a major failure and for compensation for any other reasonably foreseeable loss or damage. You are entitled to have the goods repaired or replaced if the goods fail to be of acceptable quality and failure does not amount to a major failure.
- If you wish to make a warranty claim, please return this product to the original place of purchase together with your purchase receipt, or contact Repelec (Aust) on 1300 555 586.

Tradesave products are manufactured to the highest standards and delivered to the consumer at an affordable price.

All Tradesave & Alchemy products meet Australian and New Zealand standards and have appropriate approvals where required.



Repelec (Aust)

ABN 13 003 762 641

Phone: 1300 555 586 Fax: 1300 666 066

NEW SOUTH WALES
16 Rayben Street,
Glendenning NSW 2761

NORTHERN TERRITORY
Lot 3919 Hidden Valley Rd,
Berrimah NT 0820

QUEENSLAND
17 Sudbury Street,
Darra QLD 4076

SOUTH AUSTRALIA
7 Playford Crescent,
Salisbury North SA 5108

TASMANIA
51 Glen Dhu Street,
Launceston TAS 7250

VICTORIA
4 Enterprise Court,
Mulgrave VIC 3170

WESTERN AUSTRALIA
15 Mordaunt Circuit,
Canning Vale WA 6155