

# VERSA-LITE®

## SAFE-T-PACK STEP DOWN ISOLATION TRANSFORMER



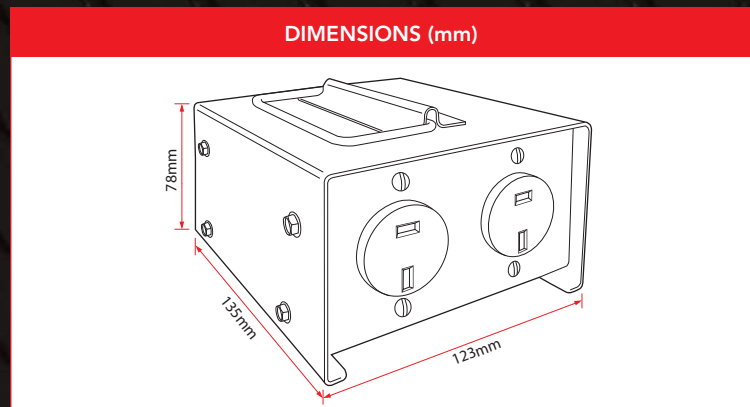
### Features

- A sturdy powder coated metal case and carry handle
- 240VAC primary supply with 2 x 32VAC/DC 1.6A 50VA secondary outlets
- Primary side is protected by a replaceable 0.5amp fuse (M205 time delay)
- Heavy duty PVC 1.8m primary lead with 2 pin plug
- Environmental protection IP20



Warning: This transformer is designed to be used only with the Versalite's range of 32VAC portable lights (VER168617 & VER168619)

CERTIFICATION	IP RATING
CABLE	BOX   CTN QTY
<b>Primary</b> 2-Pin Plug <b>Secondary</b> T-Pin Socket	<b>1   12</b>



Part No.	Voltage	Power	Current (A)	Outlets	Weight (kg)	Input	Output
VERTRF100VA240/32V	240V/32V AC/DC	100VA	0.04	2	2.3	2-Pin Plug	T-Pin Socket