

# TRADE\$AVE

## Weatherproof SMD Batten For Ceilings & Walls



**IPART  
VEET  
APPROVED**

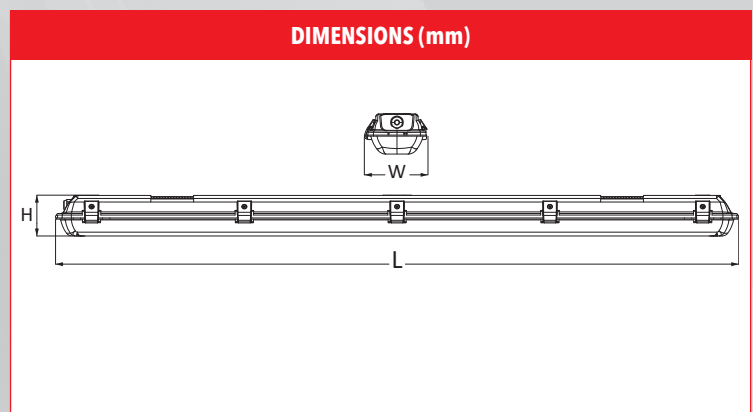
### Features

- Impact resistant polycarbonate body and diffuser
- Slide switch function for colour temperature change
- High efficiency SMD chips
- Constant current driver
- Large terminals for easy installation
- Stainless steel clips
- Operating temp: -20°C to +45°C
- IP65 weatherproof & IK08 impact resistant

### Installation Options

- Surface mounted
- Suspended (suspension kit is required)

CERTIFICATION	IP RATING	DIMMABLE
COLOUR CHANGE	IK RATING	BOX   CTN QTY
	 1.7kg @ 300mm	<b>1   8</b>



Part No.	Voltage	Watt	PF	CCT	Ra	Lumens	Beam Angle	Lifetime hrs	Fitting Colour	Dimensions (L x W x H)mm
TSWPB20WTRI	100-265V	20W	0.9	3000K-4000K-5700K	80	1700-2000-1960	120°	50,000	Grey	618 x 116 x 74
TSWPB40WTRI	100-265V	40W	0.9	3000K-4000K-5700K	80	3400-4000-3900	120°	50,000	Grey	1215 x 116 x 75

**1300 555 586**  
 **repelec.com.au**

**rep ELEC**  
TRADE SOLUTIONS

**@RepelecAU**