

TRADE\$AVE

150 & 200W LED Highbays

NEW

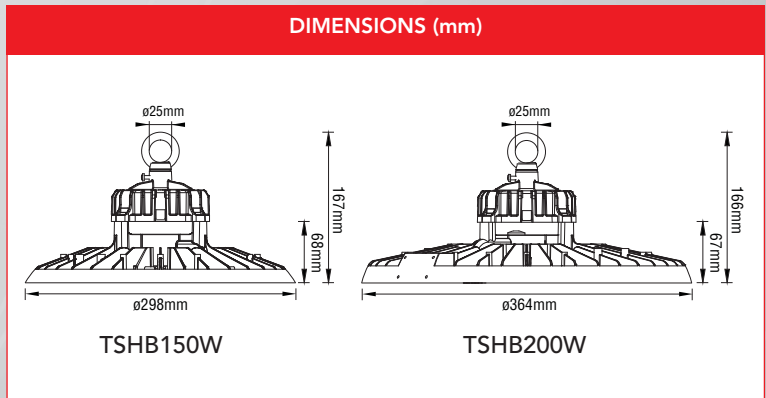


Features

- Aluminium housing powder coated black
- Tempered glass lens
- Low profile design
- Surge protected 4kV Line-Line
- High efficiency SMD chip 150Lm/w
- Operating Temp: -30°C to +50°C
- 1.5m flex & plug 3 pin
- IP65 rated IK08
- Multi-wattage 100/120/150/200W (available on 200W model only)
- Plug-and-play microwave and Lux sensor with remote control option
 - 12m mounting height @ 1-8m diameter detection range
 - Lux level adjustment
 - Sensitivity adjustment
 - Time on/off adjustment up to 30min
 - Light harvesting



CERTIFICATION	IP RATING	DALI DIMMABLE
PROTECTION	BOX CTN QTY	
	1 2	



Part No.	Voltage AC	Watt	PF	CCT	Ra	Lumens	Beam Angle	Lifetime hrs	Fitting Colour	Dimensions (H x D)mm
TSHB150W	200-240V	150W	0.9	5000K	80	22,500	120°	50,000	Black	167 x 298
TSHB200W	200-240V	100-200W	0.9	5000K	80	15K, 18K, 22.5K, 30K	120°	50,000	Black	166 x 364

Part No.	Description
TSHB150W	LED 150W Highbay DALI Dimmable 5000K
TSHB200W	LED 200W Highbay DALI Dimmable 5000K Multi Wattage 100-120-150-200W
TSANT-5-4T	Microwave/Lux Sensor Plug & Play to suit TSHB200W & TSHB150W Highbays
TSRC-100	Remote Control for the TSANT-5-4T Microwave/Lux Sensor
TSBC-H28-02A	Adjustable Wall/Ceiling Bracket to suit TSHB200W & TSHB150W Highbays

1300 555 586
repelec.com.au



Facebook, Instagram, Twitter, YouTube icons
@RepelecAU