

LED RECESSED REMOTE DRIVER DOWNLIGHT (SUPERNOVA)




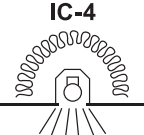



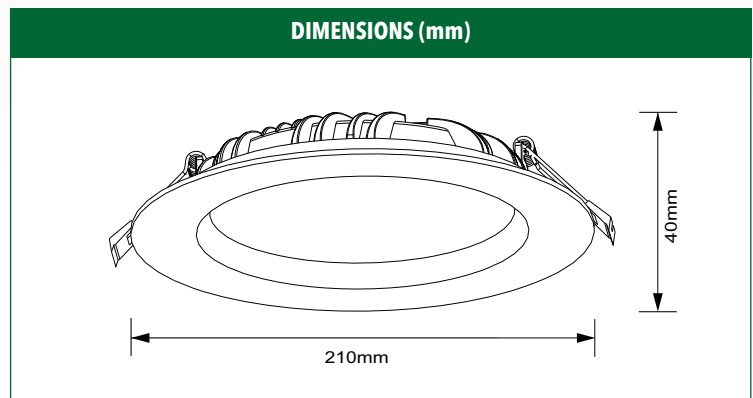
Features

- Low profile design
- Die cast aluminium construction
- 20W/40W switchable wattage
- Slide switch function for colour temp change
- High efficiency SMD chips
- Constant current driver
- 0.9m flex and plug 2-pin
- Operating temp: -20°C to +45°C
- IP44 rated

Dimming Options

- Trailing and leading edge
- Universal

CERTIFICATION	IP RATING	DIMMABLE
		
IC-4	COLOUR CHANGE	BOX CTN QTY
		1 12



Part No.	Voltage	Watt	PF	CTT	Ra	Lumens	Beam Angle	Lifetime hrs	Fitting Colour	Cutout
TSAL8SNTC40W	240V	20/40W	>0.9	3000K/4000K/5700K	>80	1800-3800	100°	50,000	White	170-200mm