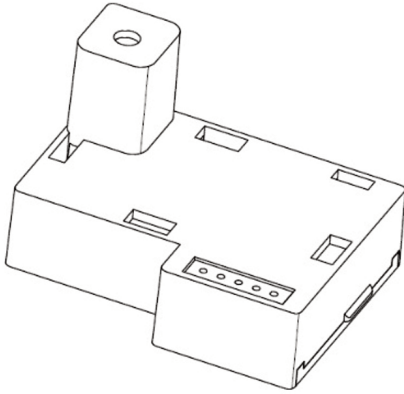


# GUARDIAN™

## RF INTERCONNECTABLE MODULE

These instructions contain important information on the correct installation and operation of your smoke alarm wireless interconnectable module. Read these instructions carefully before attempting installation.



### Specifications:

Wireless Frequency	433MHz
Wireless Distance	60m
Transmission Power	13dB
Interconnect Number	40

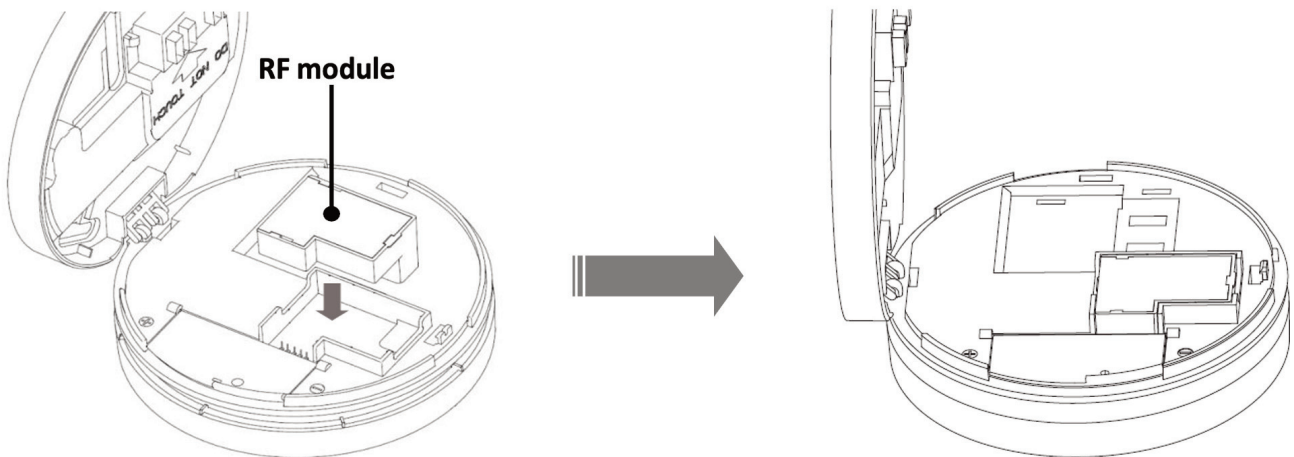
### INTRODUCTION:

This module can be installed into the SD6 alarm to achieve wireless interconnection.

**Caution: Only install one RF module per group of wired interconnected alarms if used as an extender.**

### TO INSTALL THE MODULE:

Remove the smoke alarm from the base and disconnect the battery, plug the module into the base (as per image below). Reinstall the battery and reconnect the alarm to the base.



### SEARCH & MODULE NETWORK CONNECTION:

The alarm module will search after power-up. The Red LED will flash continuously when searching for a module.

- If there's no other module present in the area, the Red LED will extinguish after 8 seconds and the alarm will enter into stand-alone mode.
- If there is a module and it has not been connected to the smoke alarm network, the Red LED will extinguish within 8 seconds and the buzzer will "beep" three times. Then the Red LED will flash twice every 8 seconds indicating that the module has not been connected to the network.
- Once the module is connected to the network, the red LED will extinguish within 8 seconds and the buzzer will "beep" for 1 second.

The module needs to be connected to the smoke alarm network before using (see below instructions).

Function	Operate the Alarm	Indication
<b>Connect to the network</b>	Press the TEST button 3 times within 2 seconds	<b>Networking status indication:</b> The Red LED on the MASTER smoke alarm will illuminate continuously.
	The first smoke alarm to enter networking will act as the MASTER	<b>MASTER networking success indication:</b> The Red LED will illuminate continuously, and the buzzer will “beep” for 1 second.
	All additional interlinking must be done via the master alarm	<b>SLAVE networking success indication:</b> The Red LED will extinguish, and the buzzer will “beep” for 1 second.
<b>Exit network</b>	Press and hold the test button at least 3 seconds	The Red LED light will turn off indicating no connection to the network.
<b>Clear network status</b>	1. Press and hold the MASTER smoke alarm test button then power-up the smoke alarm	The Red LED light illuminates when the smoke alarm powers up, after 3 seconds the Red LED light extinguishes.
	2. Release the test button in 3 seconds	The Red LED light will illuminate when you release the test button.
	3. Press the test button in 3 seconds, then release again	The Red LED light will extinguish, then the buzzer will chip once. After clearing the network, the smoke alarm won't be able to wirelessly interconnect.

## LIMITED WARRANTY

This manufacturer's warranty is provided by Repelec (Aust) (ACN 003 762 641).

The Guardian RF Module is guaranteed for a period of 5 (five) years from date of purchase, provided the product has been installed correctly and in accordance with the instructions provided. This guarantee shall become invalid if this product has been incorrectly installed, misused, tampered with or accidentally damaged.

- If the goods are defective, we undertake to repair or replace the goods or any part of them that is defective; or wholly or partly recompense you if they are defective.
- Our goods come with guarantees that cannot be excluded under the Australian Consumer Law. You are entitled to a replacement or refund for a major failure and for compensation for any other reasonably foreseeable loss or damage. You are entitled to have the goods repaired or replaced if the goods fail to be of acceptable quality and failure does not amount to a major failure.
- If you wish to make a warranty claim, please return this product to the original place of purchase together with your purchase receipt, or contact Repelec (Aust) - details below.

REPELEC (AUST) AND ITS SUPPLIERS SHALL HAVE NO LIABILITY FOR ANY PERSONAL INJURY, PROPERTY DAMAGE, OR ANY SPECIAL INCIDENTAL CONTINGENT OR CONSEQUENTIAL DAMAGE OF ANY KIND RESULTING FROM A FIRE. THE EXCLUSIVE REMEDY FOR BREACH OF THE LIMITED WARRANTY CONTAINED HEREIN IS THE REPAIR OR REPLACEMENT OF THE DEFECTIVE PRODUCT AT THE DISTRIBUTORS OPTION. IN NO CASE SHALL REPELEC (AUST) AND ITS SUPPLIERS BEAR ANY LIABILITY UNDER ANY OTHER REMEDY PRESCRIBED BY LAW EXCEEDING THE PURCHASE PRICE. YOUR SMOKE ALARM IS NOT A SUBSTITUTE FOR PROPERTY, DISABILITY, LIFE OR OTHER INSURANCE OF ANY KIND.

APPROPRIATE INSURANCE COVERAGE IS YOUR RESPONSIBILITY. PLEASE CONSULT YOUR INSURANCE AGENT.

This warranty does not affect a consumer's statutory rights in any way.

## NATIONAL DISTRIBUTOR



For further information contact:

REPELEC (AUST)

☎ 1300 555 586 🌐 [repelec.com.au](http://repelec.com.au) ✉ [sales@repelec.com.au](mailto:sales@repelec.com.au)