

7 Characteristics and Dimensions 1

Molded Case Circuit Breakers

NF32-SV
NF63-CV
NF63-SV
NF63-HV

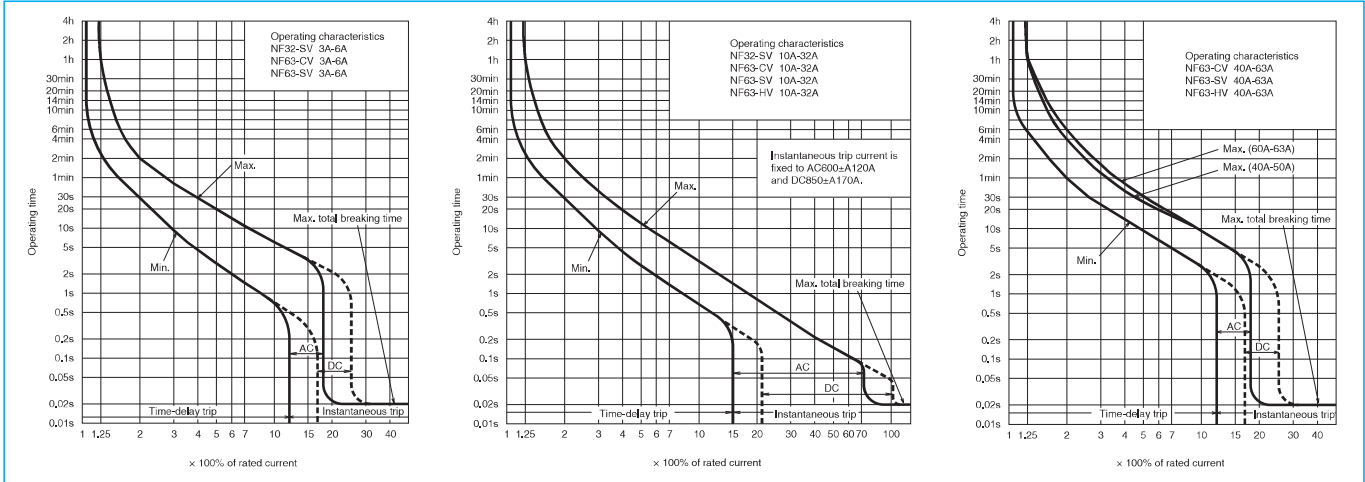


NF63-SV

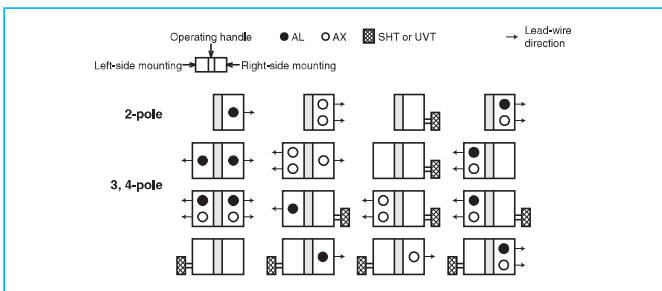
Model		NF32-SV			NF63-CV			NF63-SV			NF63-HV		
Rated current I _n (A)		3 4 (5) 6 10 (15) 16 20 25 (30) 32			3 4 (5) 6 10 (15) 16 20 25 (30) 32 40 50 (60) 63			3 4 (5) 6 10 (15) 16 20 25 (30) 32 40 50 (60) 63			10 (15) 16 20 25 (30) 32 40 50 (60) 63		
Number of poles		2 3			2 3			2 3 4			2 3 4		
Rated insulation voltage U _i (V)		600			600			600			690		
Rated short-circuit breaking capacity (kA)	IEC 60947-2	AC	690V	-			-			2.5/2.5			
				500V	2.5/2.5			2.5/2.5			7.5/7.5		
				440V	2.5/2.5			2.5/2.5			7.5/7.5		
				415V	2.5/2.5			2.5/2.5			7.5/7.5		
				400V	5/5			5/5			7.5/7.5		
				380V	5/5			5/5			7.5/7.5		
				230V	7.5/7.5			7.5/7.5			15/15		
DC	250V (*1)	2.5/2.5			2.5/2.5			7.5/7.5					
Standard attached parts (front connection)				Mounting screw: M4×0.7×55 (2 and 3P: 2pcs, 4P: 4pcs) Insulation barrier: (2P: 1pc, 3P: 2pcs, 4P: 3pcs) (*2)									

Notes *1 Use two poles for three- and four-pole products. Not available for use with connection as shown at the bottom of page 14.
*2 Supplied with NF63-SV and NF63-HV.

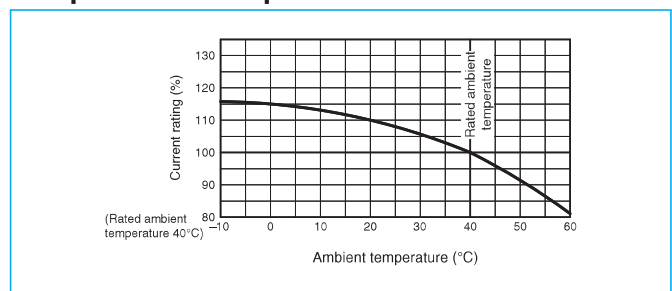
Operating Characteristics



Internal Accessories



Temperature Compensation Curve



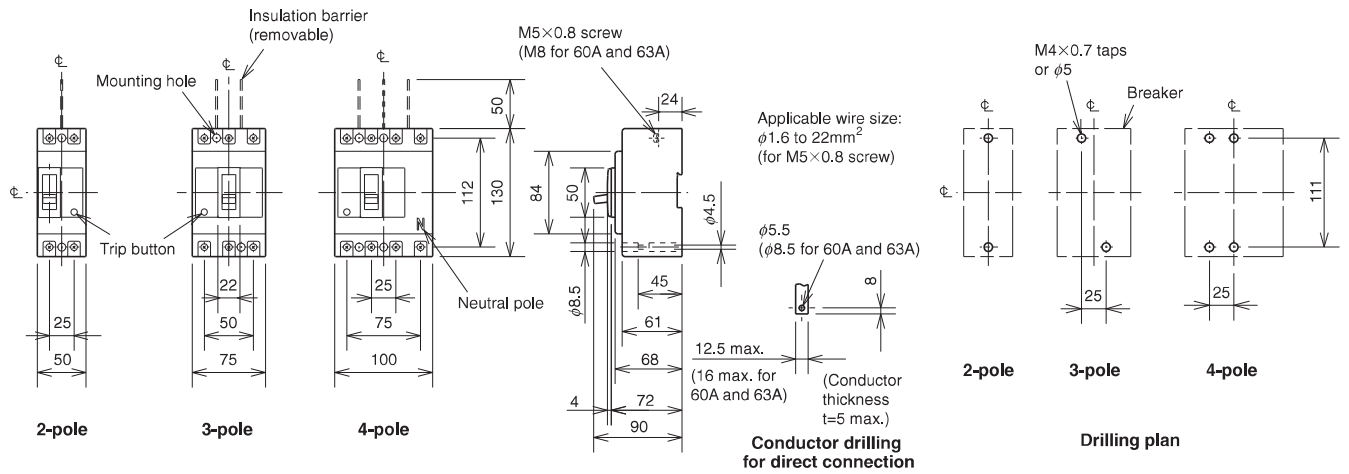
External Accessories

Accessories		Type name	Reference page	Accessories		Type name	Reference page		
Operating handle	F	2P F-05SV2	119	Mechanical interlock	MI	2, 3P MI-05SV3	131		
		3, 4P F-05SV				4P MI-05SV4			
	V	2P V-05SV2	121		Terminal cover	Small	TC-S	2P TCS-05SV2	
		3, 4P V-05SV						3P TCS-05SV3	
Handle lock device	LC	LC-05SV	129	Large				TC-L	2P TCL-05SV2
	HL(*1)	HLF-05SV							2P TCL-05SV2L
		HLN-05SV				3P TCL-05SV3			
	HL-S	HLS-05SV	4P TCL-05SV3L						
Terminal cover	Skeleton	TTC		Rear		BTC	2P TTC-05SV2	123	
							3P TTC-05SV3		
					2P BTC-05SV2				
					3P BTC-05SV3				
Plug-in	PTC					2P PTC-05SV2			
						3P PTC-05SV3			
IEC 35mm rail mounting adapters		DIN-05SV					139		

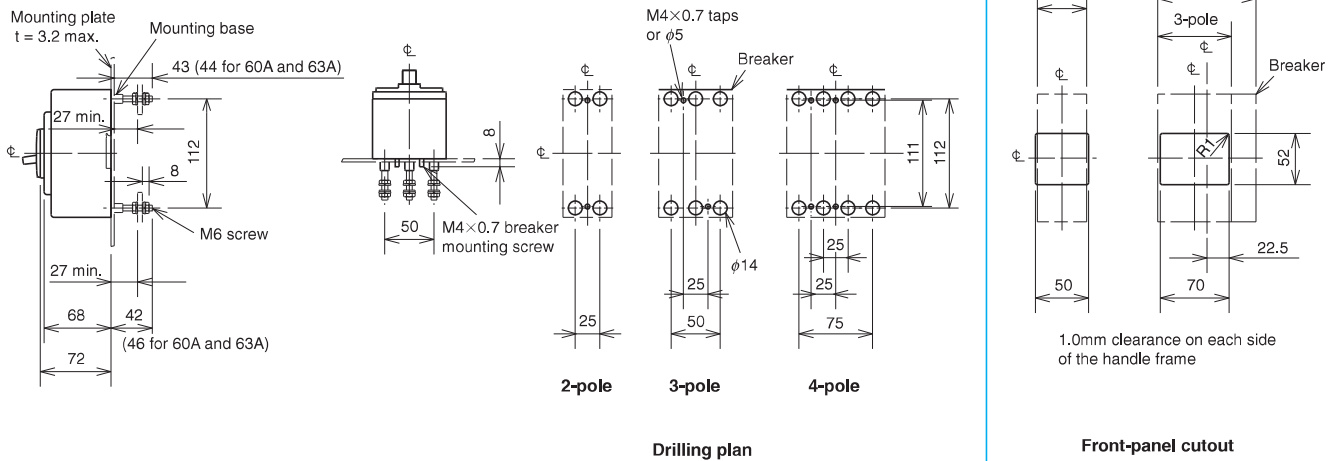
Note *1 HLF types are used for OFF lock and HLN types for ON lock.

Outline Drawing

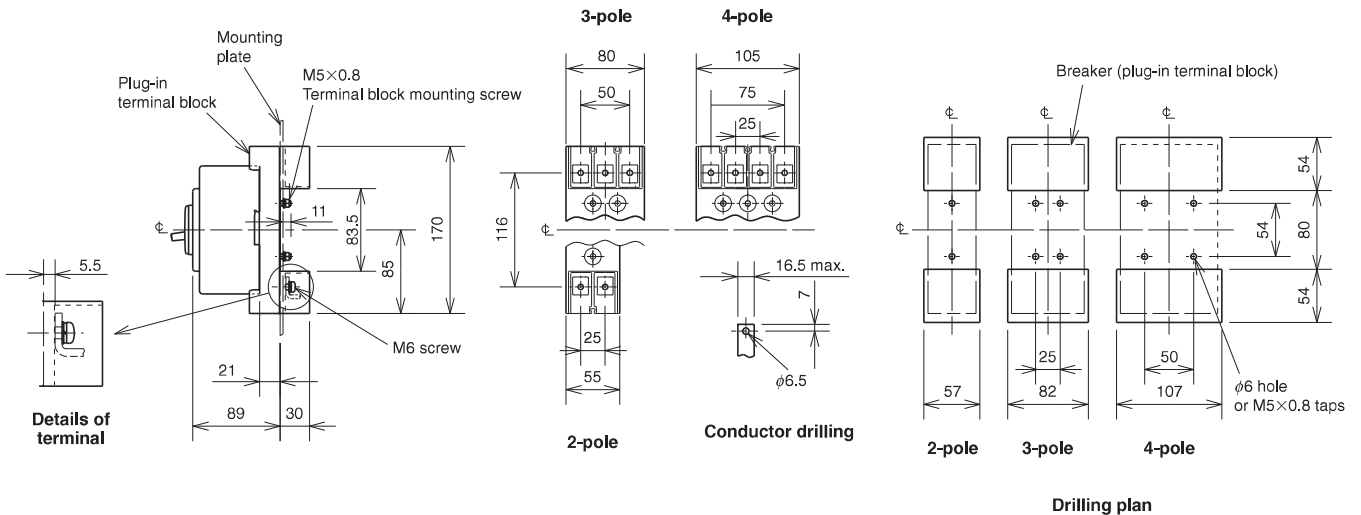
Front connection



Rear connection



Plug-in



Remark: 1. Only 2-pole and 3-pole models are available for NF32-SV and NF63-CV.