
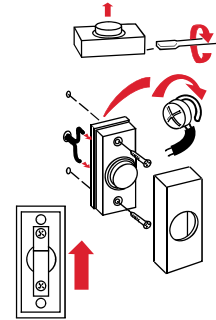



Pushes

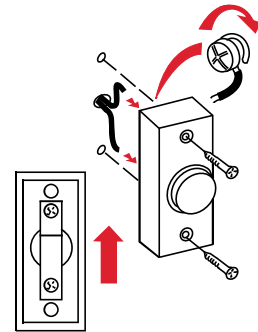
Features and Benefits:


- Wide choice to meet all customer needs including finely crafted brass pushes
- Illuminated pushes require the use of a transformer
- All other pushes are suitable for use in transformer and battery circuits up to a maximum rating of 24V 2A AC or DC

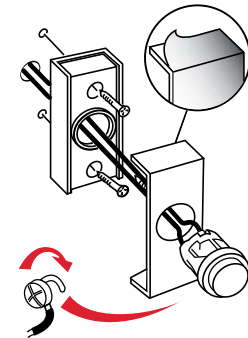
SESAME	D814
	<ul style="list-style-type: none"> • 6 products in outer pack
	<p>DIMENSIONS</p> <p>55 x 24 x 18mm</p>
	<p>UNIT BARCODE 5004100411082</p>




DIMEX	D824
	<ul style="list-style-type: none"> • 6 products in outer pack
	<p>DIMENSIONS</p> <p>55 x 24 x 18mm</p>
	<p>UNIT BARCODE 5004100411181</p>



GEM	D611
	<ul style="list-style-type: none"> • 6 products in outer pack
	<p>DIMENSIONS</p> <p>60 x 27 x 22mm</p>
	<p>UNIT BARCODE 5004100410986</p>



BUTTON – NON ILLUMINATED	D642
	<ul style="list-style-type: none"> • 6 products in outer pack
	<p>DIMENSIONS</p> <p>19 diameter x 20mm, 16mm hole req</p>
	<p>UNIT BARCODE 5004100410580</p>



Technical Information

MINI WIRED CHIMES	COLOUR	NUMBER OF TUNES	TUNE NAMES	BATTERIES	TRANSFORMERS	SOUND LEVEL DB@1M	MAX POWER VA/W
D846 Oakland	White	2	3 Note Gong	Chime: 3 x 1.5v LR6 (AA)	D780	75	2W

CHIMES, BELLS, BUZZERS AND KITS	VOLTAGE	SIGNAL 1	SIGNAL 2	BATTERIES	HONEYWELL TRANSFORMER	MAX POWER VA/W	SOUND LEVEL DB@1M MAX.	SOUND FREQUENCY NOTE 1 HZ	SOUND FREQUENCY NOTE 2 HZ
D107 Facet	6V DC/8V AC	2-Note		4 x R14/C	D780	6 W	80	740	587
D113 Surf	6V DC/8V AC	2-Note		4 x R14/C	D780	6 W	80	740	587
D117 Ding Don	6V DC/8V AC	2-Note		4 x R14/C	D780	6 W	80	740	587
D230 Big Ben	6V DC/8V AC	2-Note	1-Note	4 x R14/C	D780	6 W	80	740	587
D454 Warbler	6V DC/8V AC	Warbling	1-Note	4 x R14/C	D780	6 W	87	740	587
D182 Minibuzzer	8V AC	Buzzer		N/A	D770		80		
D792 Underdome	8V AC	Bell		N/A	D770		85		
D902 Bell-in-One	3V DC	Bell		2 x R20/D	N/A		80		
D973 Bell Kit	3V DC	Bell		2 x R20/D	N/A		80		

N/A : Not Applicable

PUSHES	GUIDELINE	LIGHTED	SPARE LAMP	FINISH
D534 Lightspot		Yes	D70 (See Note)	
D534W Lightspot		Yes	D70 (See Note)	
D611 Gem				
D642 Button	16mm hole req.			
D667 Benton	16mm hole req.	Yes		Brass
D723 Pushlite		Yes	D70 (See Note)	
D814 Sesame				
D824 Dimex				

Note: Spare lamps fit older versions only. The lamp is inside the button on new models. For clarification, check product.

TRANSFORMERS	SWITCH	MOUNTING TYPE	PRIMARY	SECONDARY
D770 Transformer	No	DIN/Surface	220-240V, 50Hz	8V 0.5A
D780 Transformer	No	DIN/Surface	220-240V, 50Hz	8V 1A
D765 Transformer	No	DIN/Surface	220-240V, 50Hz	12V 1A