

MIXFLOW SILENT FAN



TurboMix 250 TurboMix 315

■ Application

- The Blauberg TurboMix inline mix flow silent duct fans provide class leading sound reduction, where high pressure airflow is required combined with low noise. The fans are compatible with round ducts from 150mm to 315mm.

■ For use in

- These fans are suitable for a wide range of applications from domestic, commercial, industrial and hydroponics.

■ Design

- The casing is made of polymer-coated steel, internally filled with 50 mm mineral thermal wool and a sound insulating layer. The special inner perforation of the casing and sound insulating material are designed for wide-frequency sound absorbing. The diffuser and specially profiled impeller and directing vanes, provide high performance and powerful pressure combined with low noise operation. The impeller is made from high quality ABS plastic and mounting brackets on the fan casing provide for easy mounting to the floor, wall or ceiling.

■ Motor

- 220 – 240V single phase at 50Hz. All motors have a sealed ball bearing motor with a service life of up to 40 000 hours, are 2 speed with an exterior two speed switch and can be fitted with a speed controller. All motors have manual reset thermal overload protection as required for inline duct fans AS/NZS60335-2-80:2004.

■ Wiring

- All fans come standard with a 1.2m lead, 2 pin plug and external two speed switching.

■ Ordering Information

Part Number	Description
BLATURBOMIX250	Mixflow 250mm Inline Silent Fan
BLATURBOMIX315	Mixflow 315mm Inline Silent Fan

■ Sound Power Levels

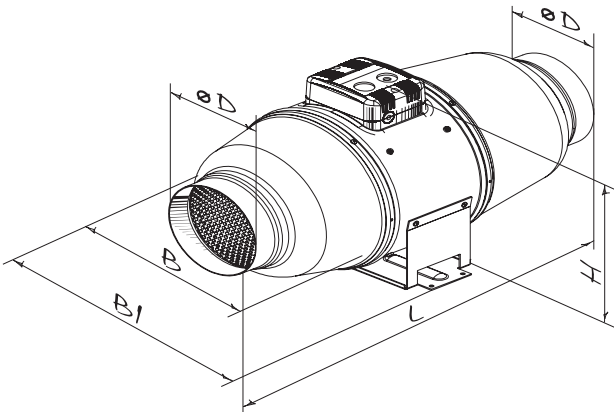
TURBOMIX250

Sound Power Level	Octave-Frequency band [Hz]								
	Gen	63	125	250	500	1000	2000	4000	8000
LwA to inlet, dBA	65	29	41	57	60	61	58	55	51
LwA to outlet, dBA	75	31	45	58	65	73	65	53	47
LwA to environment, dBA	55	25	33	48	41	53	49	41	29

TURBOMIX315

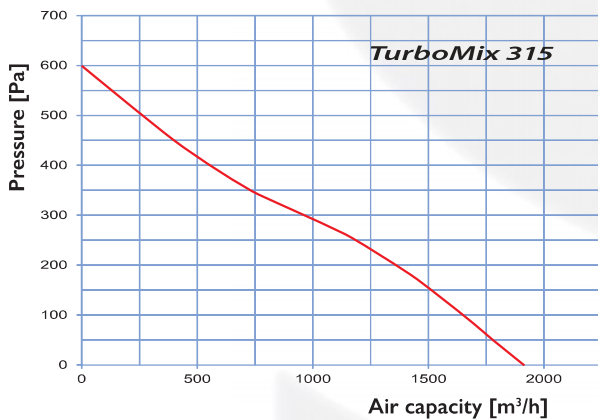
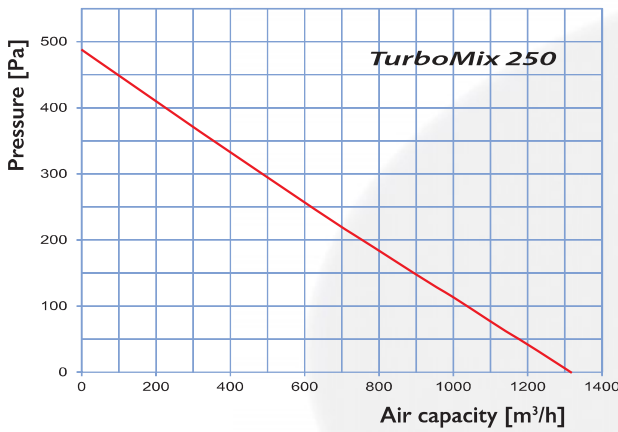
Sound Power Level	Octave-Frequency band [Hz]								
	Gen	63	125	250	500	1000	2000	4000	8000
LwA to inlet, dBA	69	35	41	62	61	64	67	58	55
LwA to outlet, dBA	75	31	40	69	69	70	65	55	51
LwA to environment, dBA	58	25	25	51	51	55	52	49	37

Overall and installation dimensions



Model Number	Dimensions mm				
	D	B	B1	I	H
BLATURBOMIX250	248	358	445	658	360
BLATURBOMIX315	313	432	520	658	434

Specifications



Parameters	Turbo 250	Turbo 315
Voltage AC	220-240	220-240
Power, W	127-178	213-313
Current	0.52-0.79	0.93-1.41
Extract capacity, m³/h	1035-1315	1510-1920
Noise level, dBA 3m	34-38	36-40
r.p.m	1960-2460	2120-2620
Installation type	Inline duct	Inline duct
Installation position	Any	Any
DN (diameter nominal mm)	250	315
Air flow temperature (°C)	-25 to +60	-20 to +60
Index of protection	IPX4	IPX4
Internal thermal protection	Manual reset	Manual reset
Colour	Grey	Grey
Casting material	Polymer coated steel	Polymer coated steel

Safety regulations

