

## MIXFLOW SILENT FAN



### TurboMix 150 TurboMix 200

#### ■ Application

- The Blauberg TurboMix inline mix flow silent duct fans provide class leading sound reduction, where high pressure airflow is required combined with low noise. The fans are compatible with round ducts from 150mm to 315mm.

#### ■ For use in

- These fans are suitable for a wide range of applications from domestic, commercial, industrial and hydroponics.

#### ■ Design

- The casing is made of polymer-coated steel, internally filled with 50 mm mineral thermal wool and a sound insulating layer. The special inner perforation of the casing and sound insulating material are designed for wide-frequency sound absorbing. The diffuser and specially profiled impeller and directing vanes, provide high performance and powerful pressure combined with low noise operation. The impeller is made from high quality ABS plastic and mounting brackets on the fan casing provide for easy mounting to the floor, wall or ceiling.

#### ■ Motor

- 220 – 240V single phase at 50Hz. All motors have a sealed ball bearing motor with a service life of up to 40 000 hours, are 2 speed with an exterior two speed switch and can be fitted with a speed controller. All motors have manual reset thermal overload protection as required for inline duct fans AS/NZS60335-2-80:2004.

#### ■ Wiring

- All fans come standard with a 1.2m lead, 2 pin plug and external two speed switching.

#### ■ Ordering Information

Part Number	Description
BLATURBOMIX150	Mixflow 150mm Inline Silent Fan
BLATURBOMIX200	Mixflow 200mm Inline Silent Fan

#### ■ Sound Power Levels

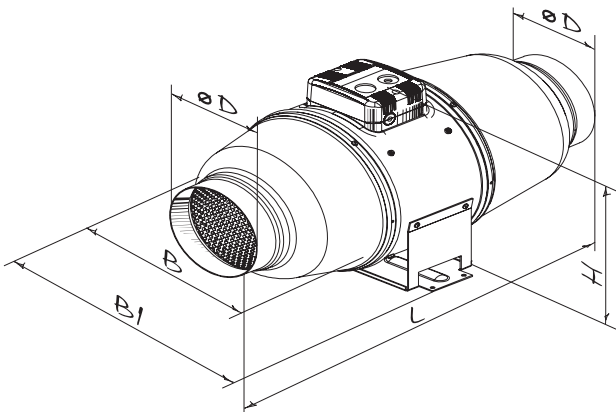
##### TURBOMIX150

Sound Power Level	Octave-Frequency band [Hz]								
	Gen	63	125	250	500	1000	2000	4000	8000
LwA to inlet, dBA	61	25	33	49	55	53	55	53	39
LwA to outlet, dBA	59	35	36	51	55	55	55	40	42
LwA to environment, dBA	39	19	22	39	35	36	36	24	21

##### TURBOMIX200

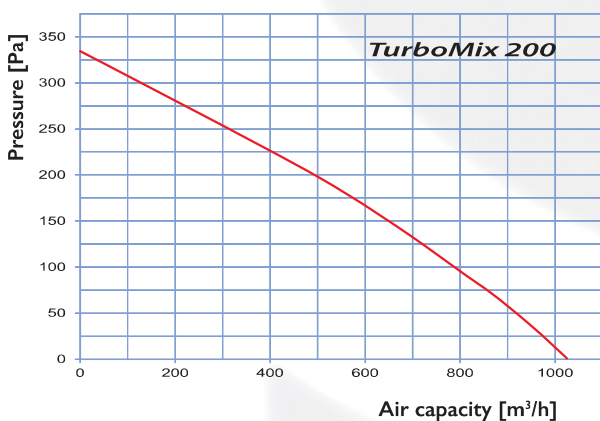
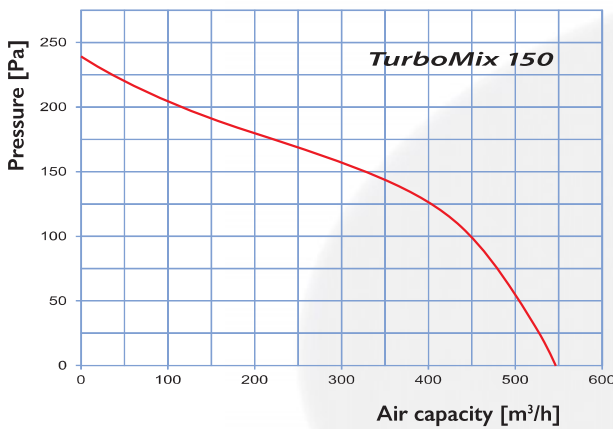
Sound Power Level	Octave-Frequency band [Hz]								
	Gen	63	125	250	500	1000	2000	4000	8000
LwA to inlet, dBA	62	26	38	54	57	58	55	52	48
LwA to outlet, dBA	65	28	42	48	62	60	62	50	44
LwA to environment, dBA	45	22	30	31	38	41	42	29	22

Overall and installation dimensions



Model Number	Dimensions mm				
	D	B	B1	I	H
BLATURBOMIX150	148	247	273	579	263
BLATURBOMIX200	198	293	386	550	295

Specifications



Parameters	TurboMix 150	TurboMix 200
Voltage AC	220-240	220-240
Power, W	45-52	78-110
Current	0.20-0.23	0.35-0.49
Extract capacity, m³/h	410-550	790-1035
Noise level, dBA 3m	26-33	31-36
r.p.m	1985-2640	2000-2460
Installation type	Inline duct	Inline duct
Installation position	Any	Any
DN (diameter nominal mm)	150	200
Air flow temperature (°C)	-25 to +60	-20 to +60
Index of protection	IPX4	IPX4
Internal thermal protection	Manual reset	Manual reset
Colour	Grey	Grey
Casting material	Polymer coated steel	Polymer coated steel

Safety regulations

