

Airware®

AW907/8 Ducted Ceiling Fans



Innovative Reliable Affordable

Airware® Ducted Ceiling Fans are innovative, reliable and affordable.

For more than a decade, Airware® fans have consistently exceeded ventilation design standards. They have become the preferred choice of builders, electricians and plumbers throughout Australia and New Zealand. Thousands of bathrooms, laundries and kitchens are ventilated by Airware® fans.

By ducting moist air outside, Airware® fans reduce the likelihood of damage caused by mould, rot and pest infestations. Innovative energy efficiency features reduce overall operating costs and the environmental impact of building infrastructure. Airware's world's best manufacturing practices have engineered a quality fan that is innovative, reliable and affordable.

1 YEAR WARRANTY

A Smartdrive enhanced auto flowrate management improving efficiency and performance

B Safety cut-out motor stops if jammed to avoid burn out

C Duct spigot duct moist air outside where it can do no harm

D Backdraft damper block unwanted air movement for improved energy efficiency

E Aerodynamic profiling reduce noise and optimise performance

F Sprung cutout clips fast and easy installation

G Centrifugal fan quiet and efficient

H Steel bearings quiet and long-lasting

I Permanent-magnet electric motor powerful and reliable

J Power plug and 1m cord easy and safe installation



AW907 Ducted ceiling fan



AW908 Ducted ceiling fan



AW907-F-WH (white)



AW907-F-SIL (silver)



AW907-F-CHR (chrome)



AW908-F-WH (white)



AW908-F-SIL (silver)



AW908-F-CHR (chrome)



AW-OAL125 (white)

Airware® ducted ceiling fans

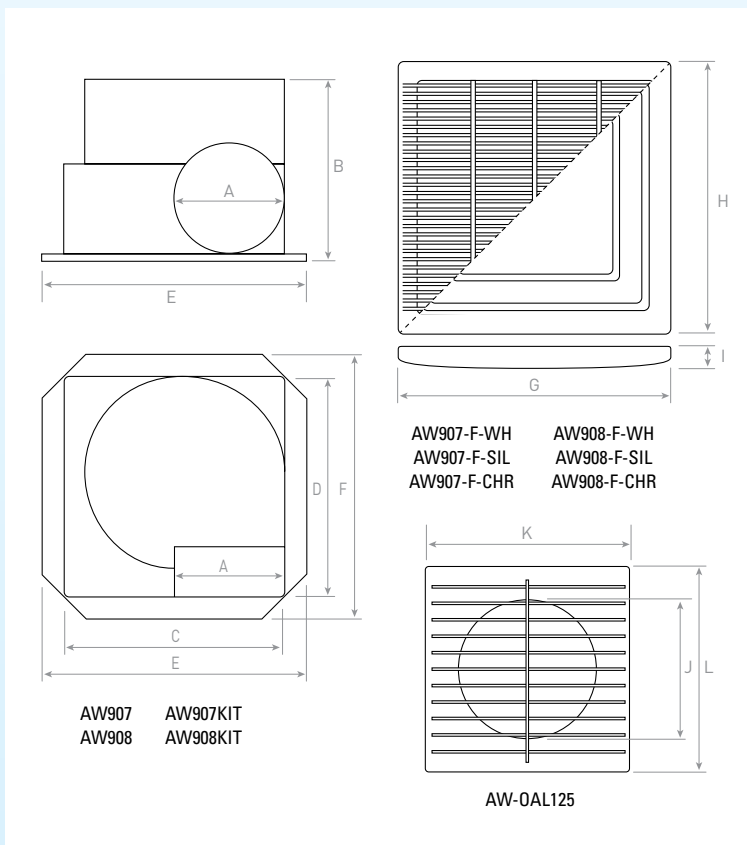
are quiet and energy efficient.

The performance of a powerful centrifugal fan is optimised by Airware's smartdrive technology to extract only as much air as required. Combined with clever aerodynamic profiling, steel ball bearings and a backdraft damper overall energy consumption and noise propagation is reduced.

Installation is easier with a 1m power cord, sprung cut-out clips and a detachable grille.

These innovative features make Airware® fans leaders in their class. Airware® ducted ceiling fans are innovative, reliable and affordable.

DIMMS(mm)	AW907	AW907 KIT	AW908	AW908 KIT
A	100	100	100	100
B	165	165	165	165
C	200	200	200	200
D	200	200	200	200
E	240	240	240	240
F	240	240	240	240
G	245	245	245	245
H	245	245	245	245
I	10-20	10-20	10-30	10-30
J	n/a	125	n/a	125
K	n/a	185	n/a	185
L	n/a	185	n/a	185



FAN SPECIFICATIONS	AW907	AW907KIT	AW908	AW908KIT
Air volume (m³/h [L/s])	165 [46]	165 [46]	165 [46]	165 [46]
Air pressure (Pa)	180	180	180	180
Fan blade dia. (mm)	100	100	100	100
RPM	1,200	1,200	1,200	1,200
Current (W)	26.6	26.6	26.6	26.6
Voltage (VAC)	240	240	240	240
Frequency (Hz)	50	50	50	50
Weight inc. grille (Kg)	1.5	1.5	1.5	1.5
Warranty (yrs)	2	2	2	2
ENERGY EFFICIENCY FEATURES				
Smartdrive enabled	Yes	Yes	Yes	Yes
Backdraft damper	Yes	Yes	Yes	Yes
Ball bearings	Yes	Yes	Yes	Yes
Aerodynamic housing	Yes	Yes	Yes	Yes
GRILLE SPECIFICATIONS				
Grille style	Square, Bar	Square, Bar	Square, Box	Square, Box
Grille colour	White	White	White	White
Grille style (external)	n/a	Square, Bar	n/a	Square, Square
Grille colour (external)	n/a	White	n/a	White
ACCESSORIES / OPTIONS				
AW907-F-CHR: chrome bar style grille	Option	Option	Option	Option
AW907-F-SIL: silver bar style grille	Option	Option	Option	Option
AW907-F-WH: white bar style grille	Included	Included	Option	Option
AW908-F-CHR: chrome box style grille	Option	Option	Option	Option
AW908-F-SIL: silver box style grille	Option	Option	Option	Option
AW908-F-WH: white box style grille	Option	Option	Included	Included
AW-NCF125-3: Duct (nude core flex, 125mmx3m)	Option	Included	Option	Included
AW-OAL125: External louvre (square, 125mm duct diameter)	Option	Included	Option	Included
AW-RD5-4: Duct reducer (125-100mm)	Included	Included	Included	Included
AW-SPIGOT100: Spigot for AW907/8 (100mm duct diameter)	Included	Included	Included	Included