

WALL & PEDESTAL FANS



REV301MG



REV303MG



REVWF18

■ REV301MG & 303MG Features:

- ❑ Self-Lubricating 175 watt motor
- ❑ 3 speed settings
- ❑ Adjustable angles of 15° downward and 60° upwards
- ❑ Wide sweep oscillation
- ❑ Low noise level
- ❑ Positive Locking Safety Grille
- ❑ Fitted with 3 metre flexible cord and plug
- ❑ Cast aluminium reinforced blade
- ❑ Wall fan is easily fitted to the wall with mounting kit provided
- ❑ Pedestal fan has adjustable height up to 2.2m with a stable base & non scratch foot pads
- ❑ Weight REV301: 24.20kg
- ❑ Weight REV303: 14.80kg
- ❑ 1 year motor warranty

■ REV201MG & 203MG Features:

- ❑ Motor: Capacitor start self-lubricating 105 watt motor
- ❑ Voltage: 240V 50Hz
- ❑ Speed: 3 speed control
- ❑ Blade: Metallic blade
- ❑ Guard: Epoxy painted with safety locking clips
- ❑ Adjustment: Adjustable angle Pedestal 15° downwards to 45° upwards; Wall mounted 45° downwards to 15° upwards
- ❑ Swivel - Swivel angle from 0° to 90°
- ❑ Pedestal Fan - Full adjustable height to 1.35m
- ❑ Wall Fan - Fixed safety wall mount kit

■ REVWF18 Features:

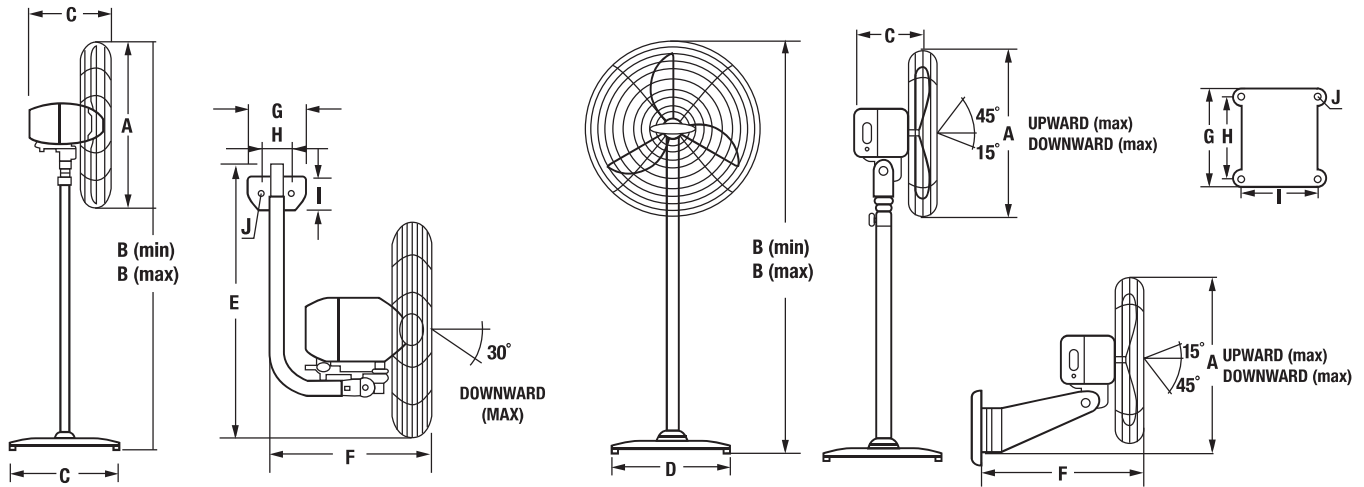
- ❑ Motor - Capacitor start self-lubricating motor
- ❑ Voltage - 220V / 240V 50Hz
- ❑ Speed - 3 speed control
- ❑ Blade - Metallic blade
- ❑ Guard - Epoxy painted guard with safety locking clips
- ❑ Adjustment - Adjustable angle; Pedestal 15° downwards to 45° upwards; Wall mounted 45° downwards to 15° upwards
- ❑ Swivel - Swivel angle from 0° to 90°
- ❑ Pedestal Fan - Full adjustable height to 1.35m
- ❑ Wall Fan - Fixed safety wall mount kit
- ❑ 1 year motor warranty

■ Ordering Information

Part Number	Size	Pull-cord	3 Position Switch	Pedestal	Wall
REV301MG	635mm		●	●	
REV303MG	635mm		●		●
REV201MG	458mm		●	●	
REV203MG	458mm		●		●
REVWF18	458mm	●			●
REVWF16	406mm	●		●	●



Overall and installation dimensions



Model Number	Dimensions mm										
	A	B min	B max	C	D	E	F	G	H	I	J
301MG	689	1710	2100	369	662	785	445	231	114	115	n/a
303MG	689	1710	2100	369	662	785	445	231	114	115	n/a
201MG	508	1310	1960	310	512	558	520	160	130	100	9
203MG	508	1310	1960	310	512	558	520	160	130	100	9

REV201MG & REV203MG Specifications

Parameters	Speed Settings		
	1	2	3
Fan Speed (RPM)	1050	1260	1400
Air Delivery (M ³ /Min)	99	104	112
Noise Level (Dba)	52	54	56
Power Input (Watts)	85	95	105
Current Measure (Amps)	0.39	0.42	0.50

REV301MG & REV303MG Specifications

Parameters	Speed Settings		
	1	2	3
Fan speed (RPM)	1120	1280	1400
Air Delivery (M ³ /min)	156	178	198
Noise Level (Dba)	54.5	58.8	68
Power Input (Watts)	135	150	175
Current Measure (Amps)	0.56	0.60	0.80

REVWF16 Specifications

Parameters	Speed Settings		
	1	2	3
Fan speed (RPM)	950	1100	1200
Air Delivery (M ³ /min)	43	46	50
Noise Level (Dba)	60	60	60
Power Input (Watts)	36	39	44
Current Measure (Amps)	0.161	0.173	0.189

REVWF18 Specifications

Parameters	Speed Settings		
	1	2	3
Fan speed (RPM)	1150	1280	1400
Air Delivery (M ³ /min)	100	105	112
Noise Level (Dba)	52	54	56
Power Input (Watts)	95	105	115
Current Measure (Amps)	0.48	0.50	0.61